



# SYMMONS® Identity®

Location:





## 6700-TRM, 6700TRM Shower Valve Trim Specification Submittal

### Feature Highlights

- Identity Shower Valve Trim
- Requires Temptrol® Pressure Balancing Shower Valve
- Integral diverter control
- Metal lever handle
- Showerhead not included
- Tub spout not included
- Components shall be metal and nonmetallic construction, plated in standard Polished Chrome finish
- Available with TA-10 flow control spindle and T-12A cap assembly for Temptrol valve bodies installed with Test Cap (order p/n S6700TRMTC)

### Options/Modifications

- LP**  Loop handle
- LR**  Lever handle
- REB** Rebuild trim kit, includes TA-10 and TA-4
- STN** Satin Nickel finish
- TC** Test Cap Trim
- MB** Matte Black finish
- BBZ** Brushed Bronze finish

### Model Numbers

- 6700-TRM**  
Shower Valve Trim, Temptrol Pressure Balancing Shower Valve order separately (modifiers include decimal points and hyphens)  
**Note:** To create sku, follow the format:  
Base SKU -> Finish -> Flow Rate (If lower than standard) -> TRM
- 6700TRM**  
Shower Valve Trim (use when ordering L1-L7 and TC modifications, do not use hyphens or decimal points)  
**Note:** To creat sku, follow the format:  
Base SKU -> Finish -> Modifier (L1-L7) -> Flow Rate (If lower than tandard) -> TRM -> TC

### Compliance

- ASME A112.18.1/CSA B125.1



### Warranty

**Limited Lifetime** - to the original end purchaser in consumer/residential installations.  
**10 Years** - for commercial/industrial installations. Refer to [www.symmons.com/warranty](http://www.symmons.com/warranty) for complete warranty information.

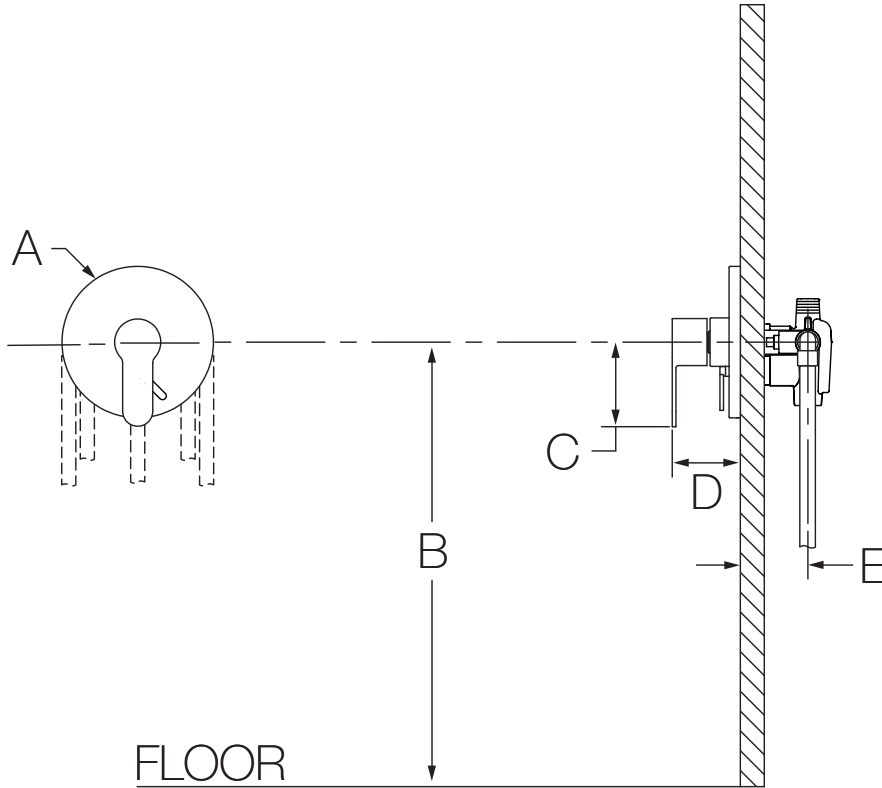


### Architectural/ Engineering Specification

Symmons Identity \_\_\_\_\_ Shower Valve Trim, Requires Temptrol® Pressure Balancing Shower Valve, Metal lever handle, integral diverter control, metal lever handle, showerhead not included, tub spout not included, components shall be metal and nonmetallic construction, and plated in standard Polished Chrome finish. Available with TA-10 flow control spindle and T-12A cap assembly for Temptrol valve bodies installed with Test Cap (order p/n S6700TRMTC). 10 Year commercial Warranty. ASME A112.18.1/CSA B125.1 complaint. Available options include: "-LP - Loop handle", "-LR - Lever handle", "-REB - Rebuild trim kit, includes TA-10 and TA-4", "TC - Test Cap Trim", and "-STN - Satin nickel finish", "-MB - Matte Black finish", "-BBZ - Brushed Bronze finish".

## Dimensions

Measurements	
A	Ø 6-3/8", 162 mm
B	Ref. 42", 1067 mm
C	3-1/2", 89 mm
D	2-7/8", 73 mm
E	Rough-in 2-3/8" ± 1/2", 60 mm ± 13 mm



### Notes:

- 1) Valve body and piping not included and shown as reference only.
- 2) Plaster shield (p/n T-176) for dry wall, plaster or other type walls 1/2" or greater.
- 3) All dimensions measured from nominal rough-in (see E as reference).
- 4) Dimensions subject to change without notice.