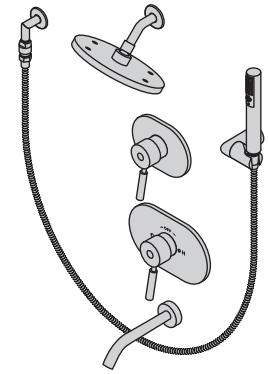
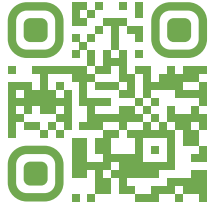




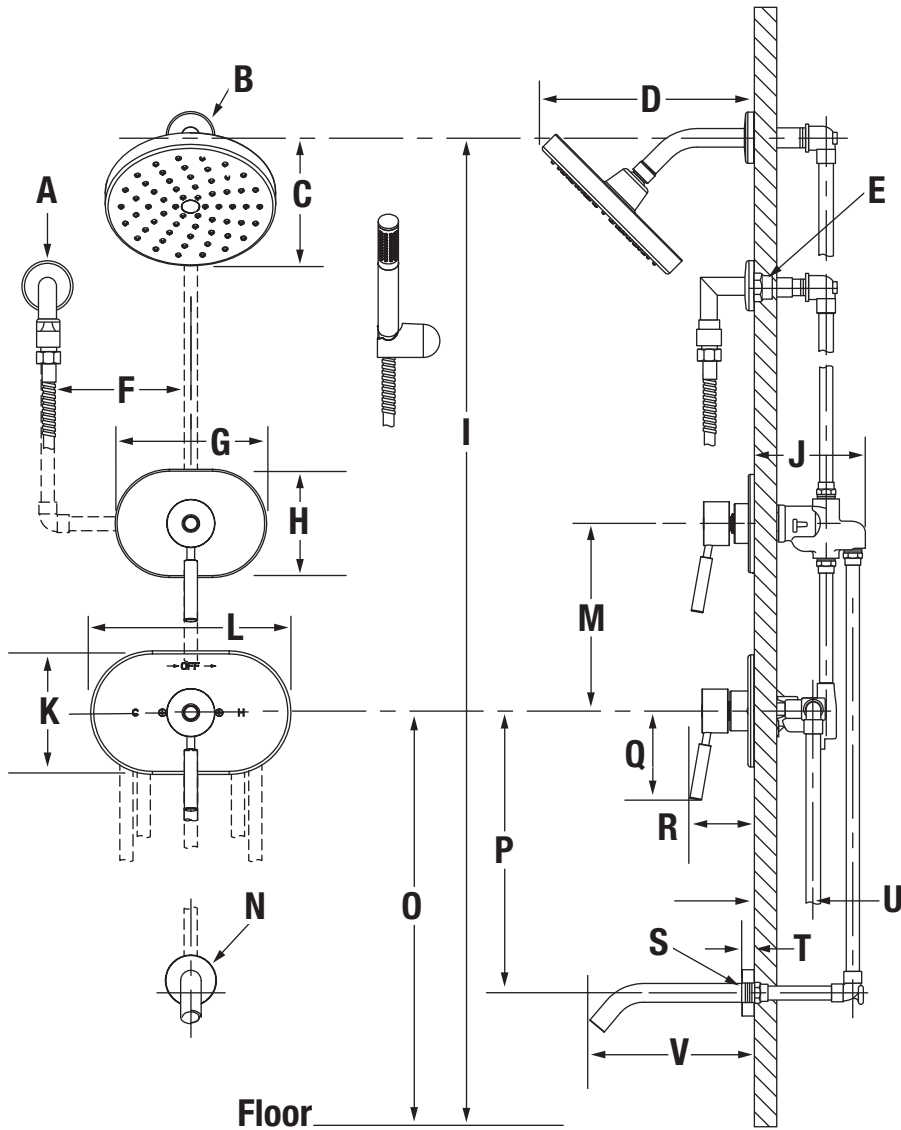
SYMMONS®



4303-TRM, 4305-TRM, 4306-TRM Serenos® Trim Series Operation & Maintenance Manual

Model Numbers	Specifications
<ul style="list-style-type: none"> <input type="checkbox"/> 4303-TRM Hand Shower Trim <input type="checkbox"/> 4305-TRM Shower Trim with Hand Shower <input type="checkbox"/> 4306-TRM Tub/Shower Trim with Hand Shower 	<p>Tub/shower trim with hand shower and lever handle includes wall connection, cradle for hand shower mounting, in-line vacuum breaker, flexible metal hose, non-diverter tub spout, 1 mode hand shower and 1 mode showerhead with standard 2.5 gpm (9.5 L/min) flow restrictor. Shower trim with hand shower and lever handle includes all of the above less non-diverter tub spout. Valve trim with hand shower and lever handle includes all of the above less non-diverter tub spout and 3 mode showerhead. Components made from metal and nonmetallic materials plated in standard polished chrome finish.</p>
Modifications	Warranty
<ul style="list-style-type: none"> <input type="checkbox"/> -1.5 1.5 gpm (5.7 L/min) flow restrictor <input type="checkbox"/> -2.0 2.0 gpm (7.6 L/min) flow restrictor <input type="checkbox"/> -432HSB 30" slide bar in place of wall cradle on hand shower units <input type="checkbox"/> -SS Slip spout on any tub and shower unit <input type="checkbox"/> -STN Satin nickel finish <p>Note: Append appropriate -suffix to model number.</p>	<p>Limited Lifetime - to the original end purchaser in consumer/residential installations.</p> <p>10 Years - for commercial/industrial installations. Refer to www.symmons.com/warranty for complete warranty information.</p> 

Dimensions

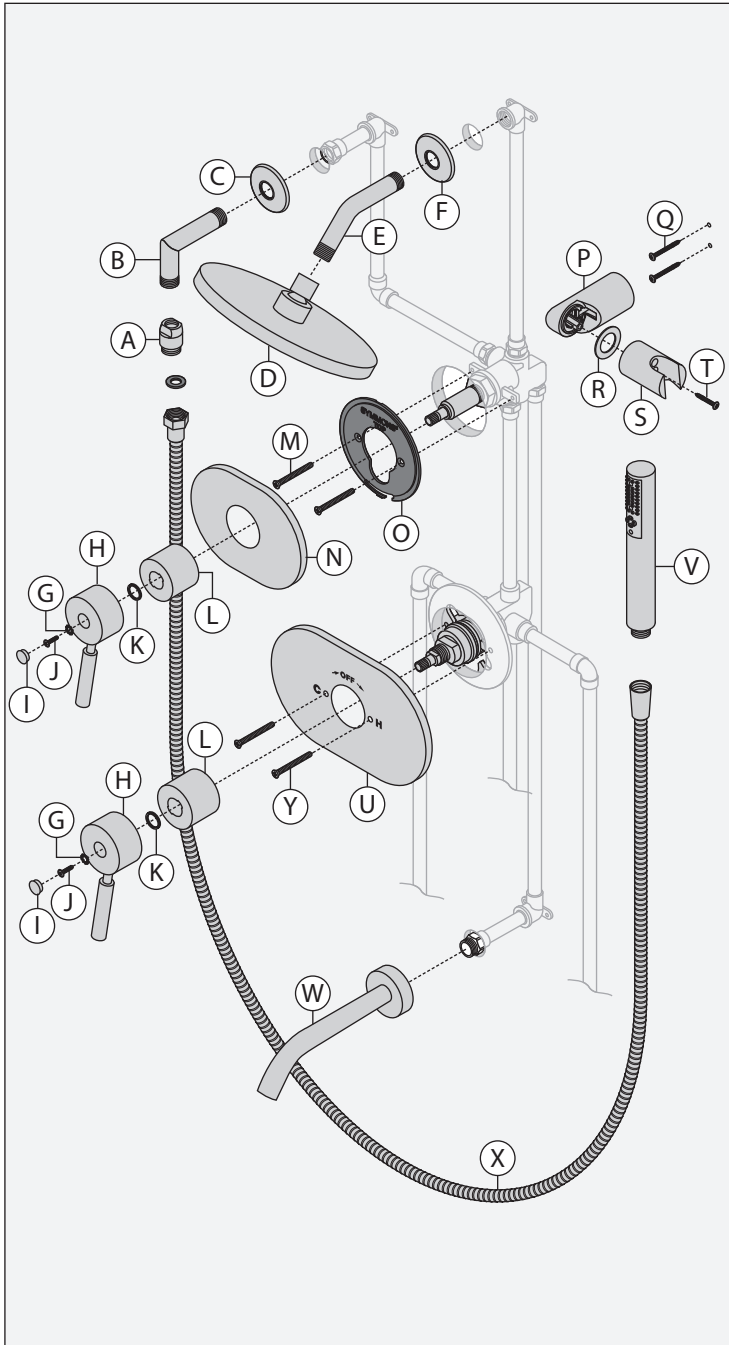


Measurements	
A	Ø 2 1/4", 57 mm
B	Ø 2 1/4", 57 mm
C	6", 152 mm
D	9 1/4", 235 mm
E	Female 1/2" IPS thread must be recessed 7/8" from finished wall
F	6", 152 mm right or left
G	7", 178 mm
H	5", 127 mm
I	77", 1956 mm
J	4 3/4", 121 mm
K	5 3/4", 146 mm
L	9 1/4", 235 mm
M	10", 254 mm
N	Ø 2 3/8", 60 mm
O	32", 813 mm (4306-TRM) 42", 1067 mm (4303-TRM, 4305-TRM)
P	12", 305 mm
Q	4 1/2", 114 mm
R	3 1/4", 83 mm
S	1/2" NPT
T	1/2", 13 mm
U	(Rough in) 2 3/8" ± 1/2", 60 mm ± 13 mm
V	8 1/2", 216 mm

Notes:

- 1) All dimensions measured from nominal rough-in (see U as reference).
- 2) Dimensions are subject to change without notice.

Parts Breakdown



Replacement Parts

Item	Description	Part Number
A X	Vacuum Breaker 60" Hose	EF-104
B C	Wall Elbow Flange	T-444-KIT
D	Showerhead	432SH
E F	Shower Arm Flange	300
G H I J	Star Washer Handle Plug Button Set Screw	T-251
K L	Lock Nut Dome Cover	T-19/20-PL
N M O	Mounting Plate Mounting Screws Diverter Escutcheon	T-529
P Q R S T	Cradle Mount Cradle Mount Screws Washer Cradle Arm Set Screw	T-545
U Y	Shower Escutcheon Mounting Screws	T-249
V	Hand Shower	432W
W	Tub Spout	432TS

Notes:

1) Append -STN to part number for satin nickel finish.

2) Append -1.5 or -2.0 to showerhead or hand shower for low flow.

Required for Installation

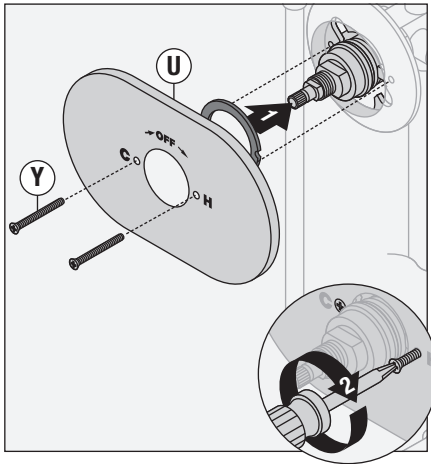
Adjustable wrench	
Phillips head screwdriver	
Plumber tape	

Installation

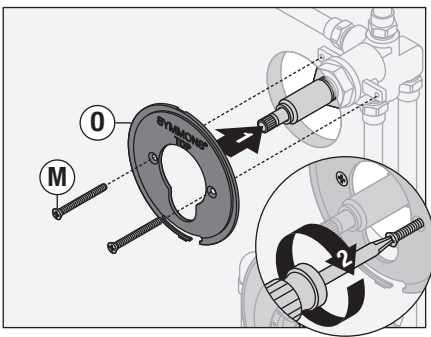
Note:

Four valve body installation, please see valve body installation guides.

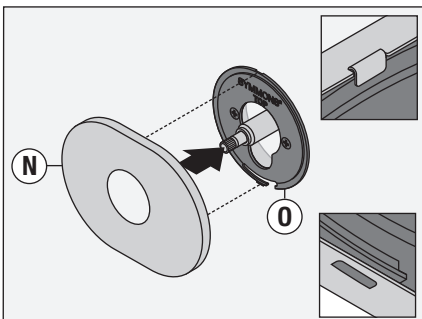
- 1) Install shower escutcheon (U) to shower valve. Secure with two screws (Y).



- 2) Attach mounting plate (O) to diverter valve (4305-TRM and 4306-TRM only). Secure with two screws (M).

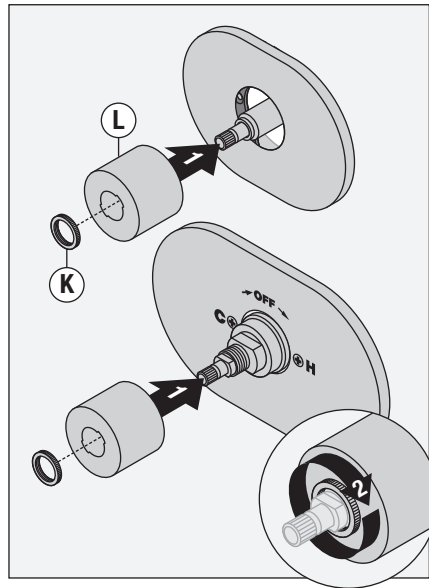


- 3) Attach diverter escutcheon (N) to plastic mounting plate (O).

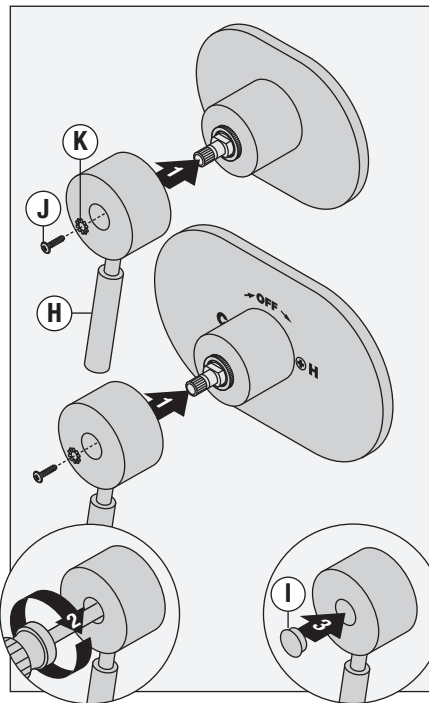


Note: Tabs should snap into place.

- 4) Install shower and diverter dome covers (L) to valves. Secure with lock nut (K).

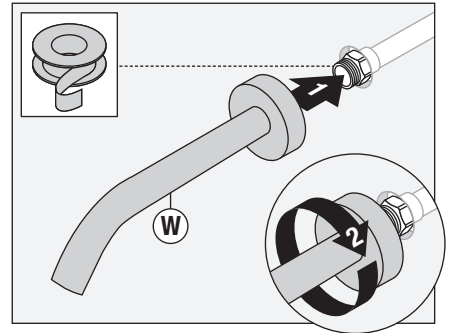


- 5) Install diverter handle (4305-TRM and 4306-TRM only) and shower handle (H) to valves. Secure handle(s) with star washer (G) and screw (J). Attach plug button (I) to handle(s).

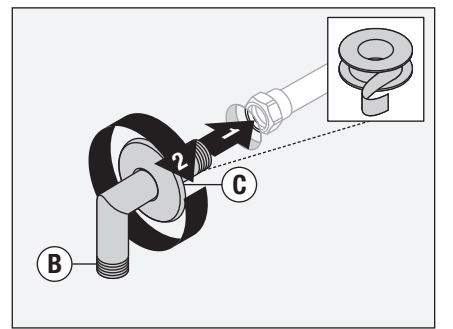


Notes: Handles should be facing the 6 o'clock position.

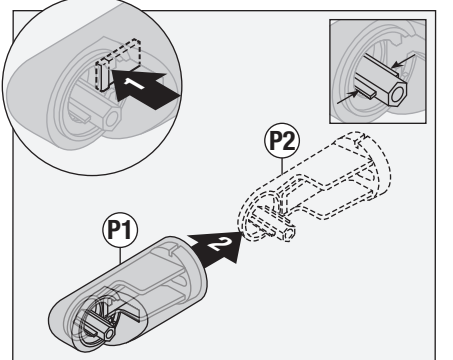
- 6) Install tub spout (W) to pipe fitting. Turn clockwise to secure.



- 7) Install wall elbow (B) and flange (C) to recessed pipe fitting. Turn elbow clockwise to tighten.



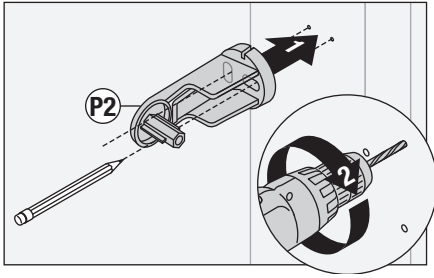
- 8) Press tab to remove mounting plate (P2) from cradle mount cover (P1).



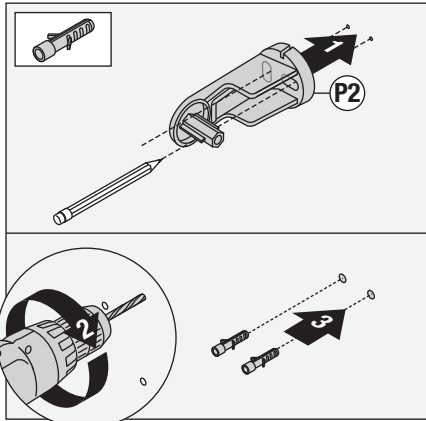
Note: Mounting plate (P2) center tabs must be horizontal for removal.

Installation

9) Place mounting plate (P2) in position, mark and drill 1/8" pilot holes into stud.

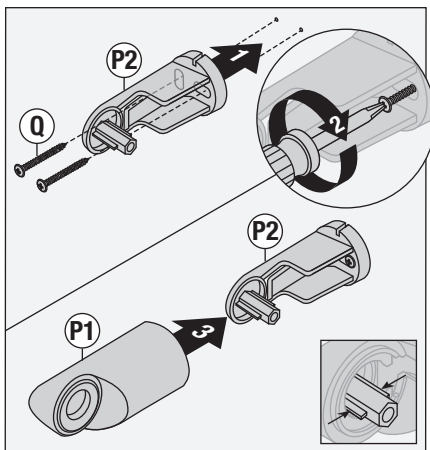


Option: Place mounting plate (P2) in position, mark and drill 3/16" holes



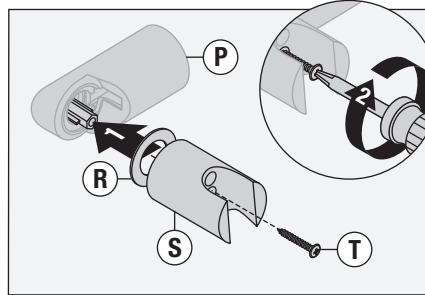
into wall. Install anchors.

10) Install mounting plate (P2). Secure with two screws (Q).

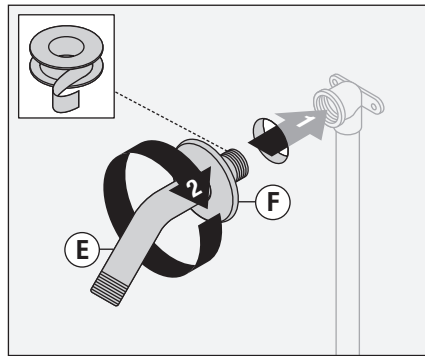


Replace cradle mount cover (P1).
Note: Mounting plate (P2) center tabs must be horizontal for installation.

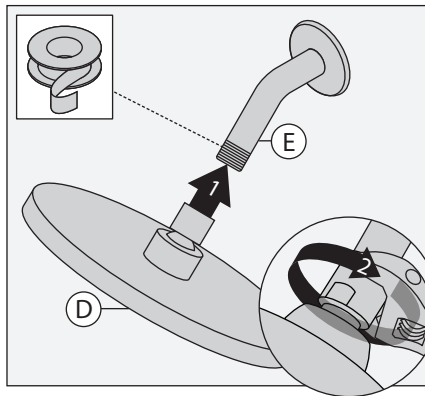
11) Attach cradle arm (S) and washer (R) to cradle mount (P). Secure with set screw (T).



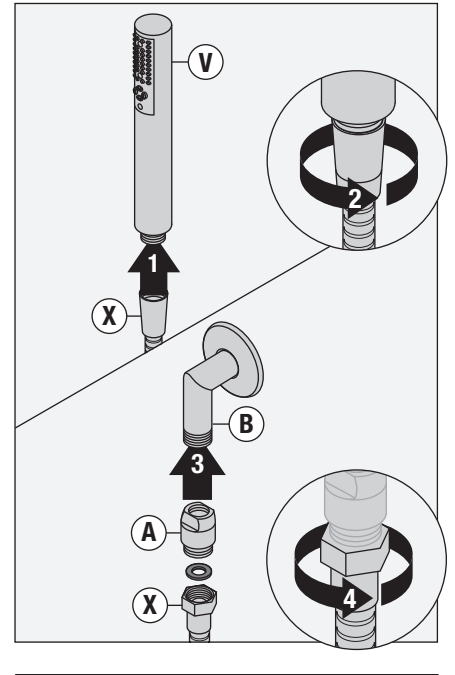
12) Attach shower arm (E) and flange (F) to vertical shower pipe turning clockwise to tighten.



13) Install showerhead (D) to shower arm (E) turning clockwise to tighten.



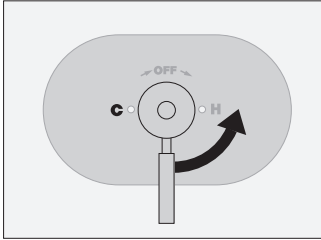
14) Attach large end of hand shower hose (X) to hand shower (V). Attach small end of hand shower hose (X) and gasket to in-line vacuum breaker (A). Connect in-line vacuum breaker to wall elbow (B). Turn clockwise to tighten.



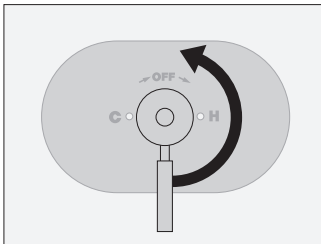
Operation

Temperature Control

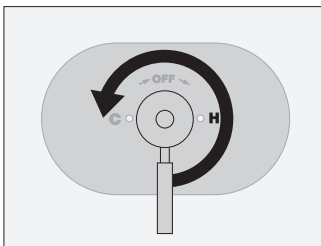
- 1) Turn shower handle counterclockwise approximately 1/4 turn to put valve in cold position.



- 2) Turn shower handle counterclockwise approximately 1/2 turn to put valve in warm position.



- 3) Turn shower handle counterclockwise approximately 3/4 turn to put valve in hot position.



Care and Cleaning

- 1) Clean finished trim area with a soft cloth using mild soap and water or a non-abrasive cleaner and then quickly rinse with water.

Troubleshooting Chart

Problem	Cause	Solution
Finish is spotting.	Elements in water supply may cause water staining on finish.	Clean finished trim area with a soft cloth using mild soap and water or a non-abrasive cleaner and then quickly rinse with water.