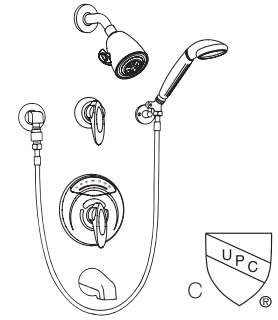




Location:



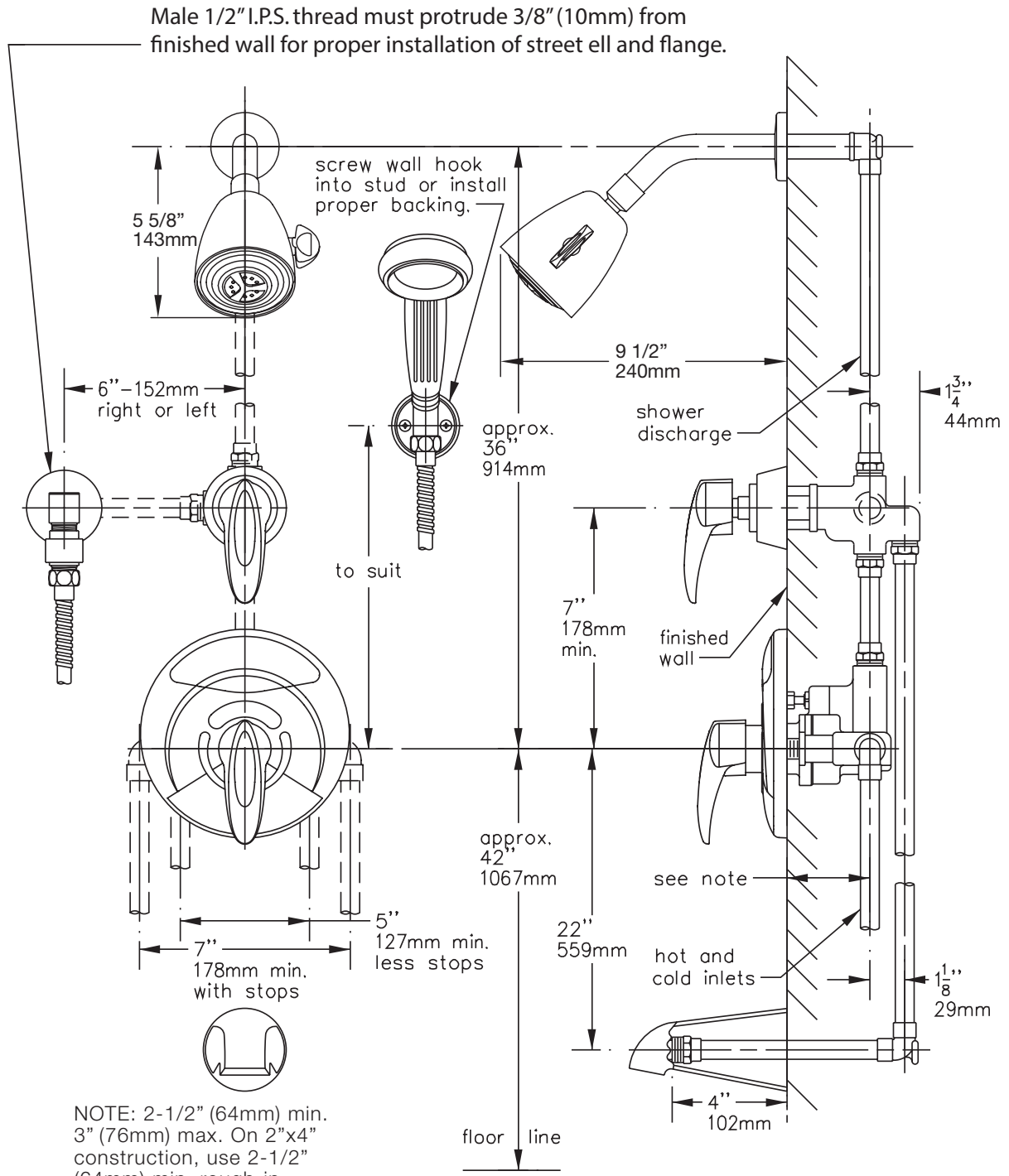
1-317VT-FS Visu-Temp® Tub/Shower System/Hand Spray Specification Submittal



Model Numbers	Feature Highlights
<input type="checkbox"/> 1-317VT-FS Visu-Temp® Tub/Shower System/Hand Spray	<ul style="list-style-type: none"> • Visu-Temp® Pressure-Balancing mixing valve with integral thermometer • Adjustable stop screw to limit handle turn • Lever diverter with volume control for shower head, hand spray and tub spout • Super shower head with arm and flange • Tub spout • Wall/hand shower with flexible 5' metal hose • In-line vacuum breaker • Wall connection and flange • Wall hook for hand shower mounting • Standard flow rate 2.0 gpm (7.6 L/min)
Options/ Modifications	
<input type="checkbox"/> 1.5 1.5 gpm (5.7 L/min) flow restrictor <input type="checkbox"/> STN Satin Nickel finish <input type="checkbox"/> X Integral service stops—allows water shut-off at valve for service <input type="checkbox"/> X-3/4 3/4" valve to increase flow approximately 20% <input type="checkbox"/> X-CHKS Integral check stops—for use in installations where a positive shut-off device is used downstream of mixing valve <input type="checkbox"/> NS Non-shared diverter valve	
<p>Note: Append appropriate -suffix to model number.</p>	Warranty
Compliance	<p>Limited Lifetime - to the original end purchaser in consumer/residential installations.</p> <p>10 Years - for commercial/industrial installations. Refer to www.symmons.com/warranty for complete warranty information.</p> 
<p>- ASME A112.18.1/CSA B125.1</p> 	

Architectural/ Engineering Specification

Symmons Visu-Temp Tub and Shower System with Hand Spray _____ Includes Visu-Temp Pressure-Balancing mixing valve with integral thermometer, Adjustable stop screw to limit handle turn, Lever diverter with volume control for shower head, hand spray and tub spout, Super shower head with arm and flange, Tub spout, Wall/hand shower with flexible 5' metal hose, In-line vacuum breaker, Wall connection and flange, Wall hook for hand shower mounting, Standard flow rate 2.0 gpm (7.6 L/min). 10 Year Commercial Warranty. ASME A112.18.1/CSA B125.1 compliant. Available options: "1.5 - 1.5 gpm (5.7 L/min) flow restrictor", "STN - Satin Nickel finish", "X - Integral service stops—allows water shut-off at valve for service", "X-3/4 - 3/4" valve to increase flow approximately 20%", "X-CHKS - Integral check stops—for use in installations where a positive shut-off device is used downstream of mixing valve", "NS - Non-shared diverter valve".

Dimensions


NOTE: 2-1/2" (64mm) min. 3" (76mm) max. On 2"x4" construction, use 2-1/2" (64mm) min. rough-in. Valve inlets and outlets are 1/2" (13mm) IPS connections.