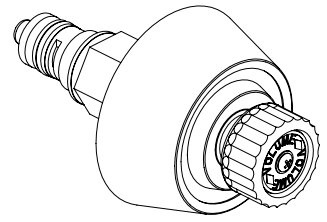




# 4-451-TRM Push-button Diverter Trim Install Guide



## Warranty

**Limited Lifetime** - for residential installations.  
**10 Years** - for commercial/industrial installations.  
Refer to [www.symmons.com/warranty](http://www.symmons.com/warranty) for complete warranty information.



## Compliance

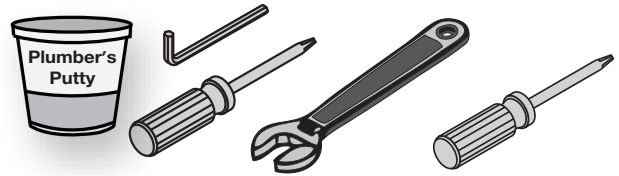
• ASME A112.18.1/CSA B125.1.



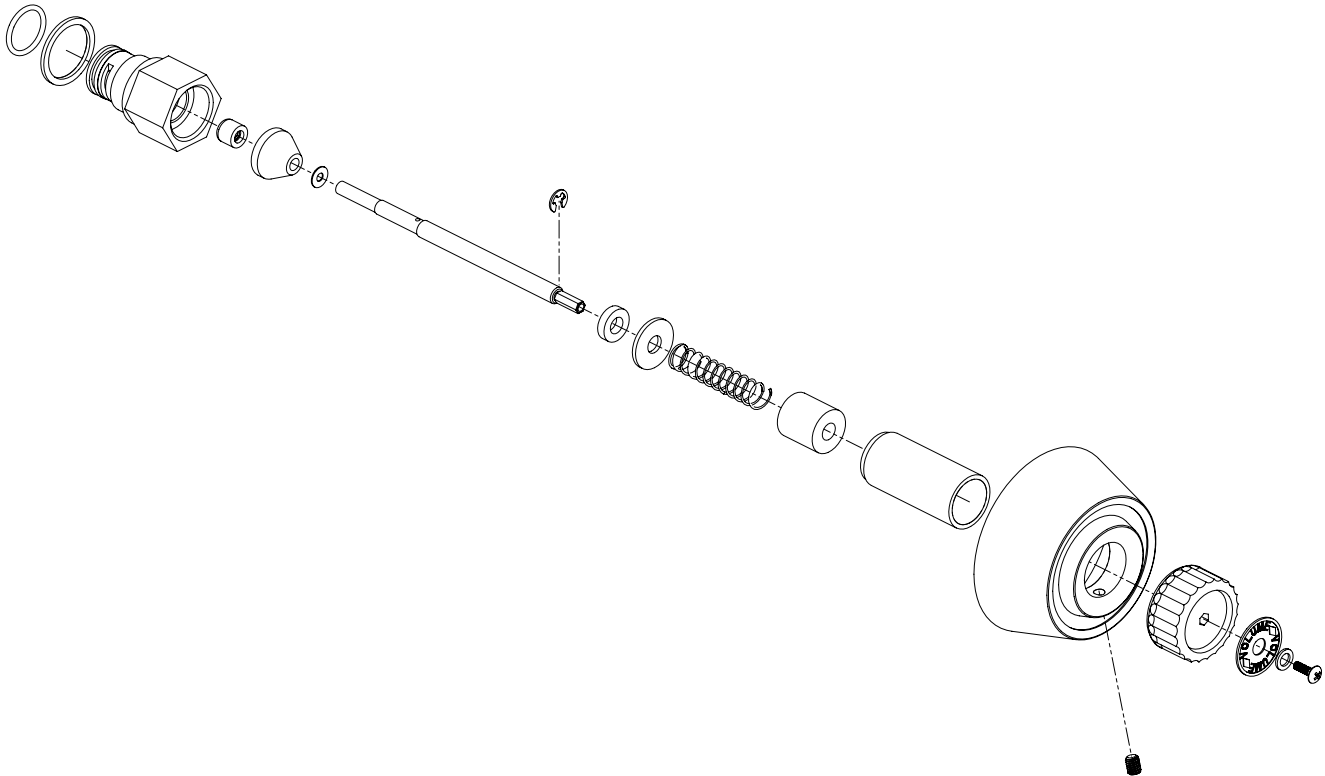
## Product Care

Clean finished trim area with a soft cloth using mild soap and water or a non-abrasive cleaner, and then quickly rinse with water.

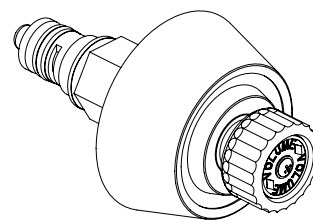
## Tools Required



## Installation



**⚠ WARNING:** This product can expose you to chemicals including lead, which is known to the state of California to cause cancer, birth defects, or other reproductive harm. For more information, go to [www.P65Warnings.ca.gov](http://www.P65Warnings.ca.gov).

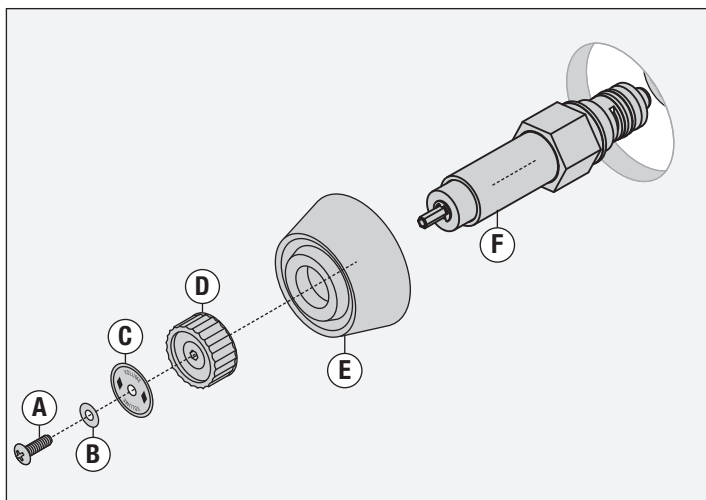


## Push-button Diverter Trim Parts Breakdown Document

### Model Numbers

**4-451-TRM** Push-button Diverter Trim

### Parts Breakdown



Replacement Parts		
Item	Description	Part Number
A	Screw	DT-13/15
B	Washer	
C	Dial	
D	Knob	
E	Escutcheon	LD-15A
A	Screw	DT-20
B	Washer	
C	Dial	
D	Knob	
F	Cartridge	DT-20/5
A	Screw	
B	Washer	
C	Dial	
D	Knob	LD-15A
E	Escutcheon	
F	Cartridge	

Required for Installation	
Phillips head screwdriver	