



SYMMONS® Carrington®




Location:



S-4401-TRM, S4401TRMTC

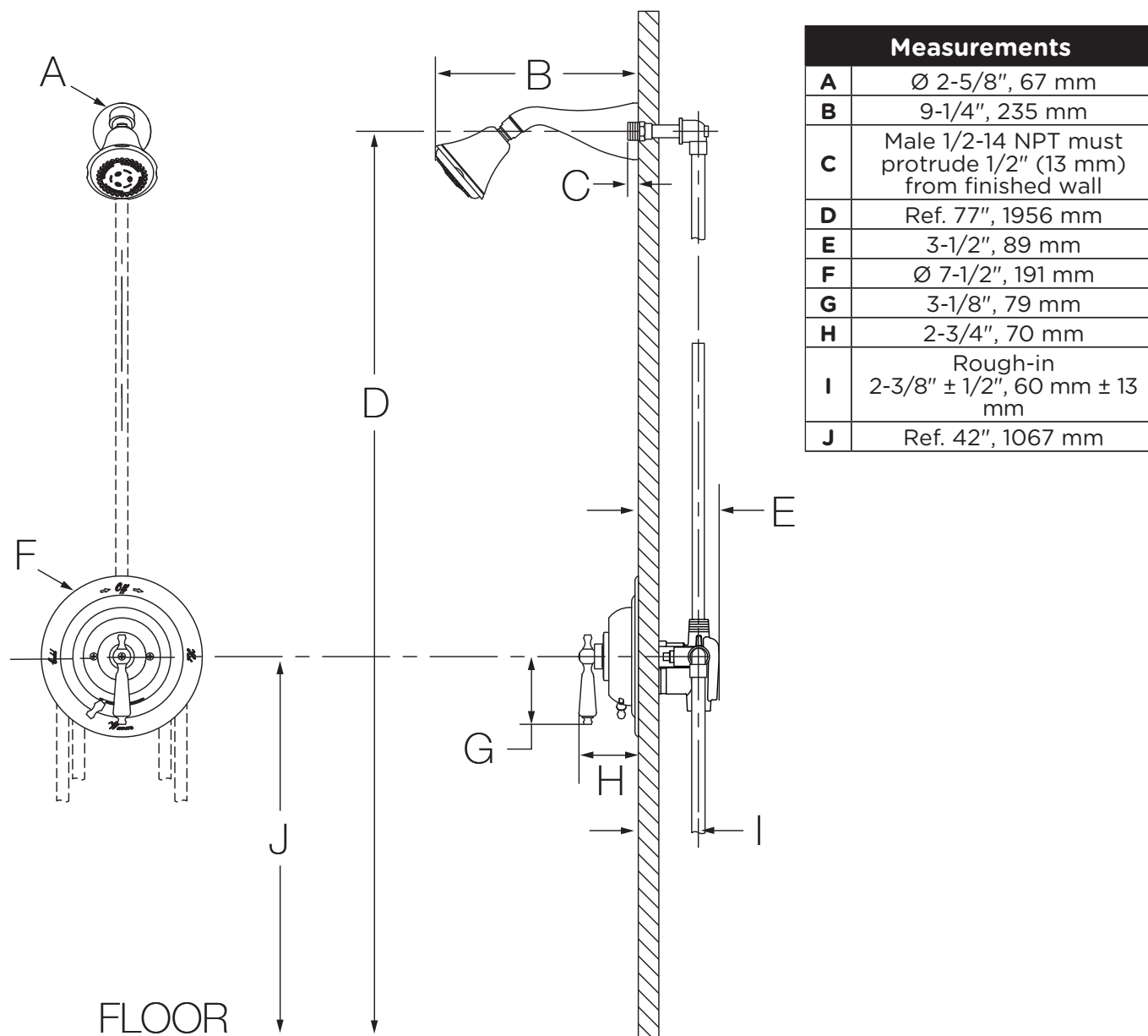
Shower Trim

Specification Submittal

Model Numbers	Feature Highlights
<input type="checkbox"/> S-4401-TRM Shower Trim with integral volume control, Temptrol Pressure Balancing Shower Valve ordered separately <input type="checkbox"/> S4401TRMTC Shower Trim with integral volume control, TA-10 flow control spindle and T-12A cap assembly, must order Temptrol valve with Test Cap	<ul style="list-style-type: none"> • Carrington Shower Trim • Requires Temptrol® Pressure Balancing Shower Valve • Integral volume control • Metal lever handle • 3 mode showerhead • 2.0 gpm (7.6 L/min) flow restrictor • Tub spout not included • Components shall be metal and nonmetallic construction, plated in standard Polished Chrome finish • Available with TA-10 flow control spindle and T-12A cap assembly for Temptrol valve bodies installed with Test Cap (order p/n S4401TRMTC)
Options/ Modifications	
<input type="checkbox"/> 1.5  1.5 gpm (5.7 L/min) flow restrictor <input type="checkbox"/> STN Satin Nickel finish <input type="checkbox"/> L1 Less showerhead <input type="checkbox"/> L7 Less handle <p>Note: Append appropriate -suffix to model number.</p>	
Compliance	Warranty
<p>- ASME A112.18.1/CSA B125.1</p> 	<p>Limited Lifetime - to the original end purchaser in consumer/residential installations. 10 Years - for commercial/industrial installations. Refer to www.symmons.com/warranty for complete warranty information.</p> 

Architectural/ Engineering Specification

Symmons Carrington Shower Trim _____ Includes Carrington Shower Trim, Requires Temptrol® Pressure Balancing Shower Valve, Integral volume control, Metal lever handle, 3 mode showerhead, 2.0 gpm (7.6 L/min) flow restrictor, Tub spout not included, Components shall be metal and nonmetallic construction, plated in standard Polished Chrome finish, Available with TA-10 flow control spindle and T-12A cap assembly for Temptrol valve bodies installed with Test Cap (order p/n S4401TRMTC). 10 Year Commercial Warranty. ASME A112.18.1/CSA B125.1 compliant. Available options: "1.5 - 1.5 gpm (5.7 L/min) flow restrictor", "STN - Satin Nickel finish", "L1 - Less showerhead", "L7 - Less handle".

Dimensions

Notes:

- 1) Valve body and piping not included and shown as reference only.
- 2) Plaster shield (p/n T-176) for dry wall, plaster or other type walls 1/2" or greater.
- 3) All dimensions measured from nominal rough-in (see I as reference).
- 4) Dimensions subject to change without notice.