

# Location:



**SYMMONS**® Origins<sup>®</sup>



9601-PLR, 9601-PLR-TRM, 9601PLR, 9601PLRTRM

Shower Trim

## Specification Submittal

### Feature Highlights

- Origins Shower System or Trim
- Requires Temptrol® Pressure Balancing Shower Valve (included with 9601-PLR)
- Adjustable stop screw to limit handle turn (included with 9601-PLR)
- Metal lever handle
- 1 mode showerhead with easy to clean nozzles
- 2.0 gpm (7.6 L/min) flow restrictor
- Tub spout not included
- Components shall be metal and nonmetallic construction, plated in standard Polished Chrome finish
- Available with TA-10 flow control spindle and T-12A cap assembly for Temptrol valve bodies installed with Test Cap (order p/n 9601PLRTRMTC)

### Options/Modifications

- 1.2** **CG** 1.2 gpm (4.5 L/min) flow restrictor
- 1.5** **CG** 1.5 gpm (5.7 L/min) flow restrictor
- 1.75** **CG** 1.75 gpm (6.6 L/min) flow restrictor
- L1** Less showerhead
- L7** Less handle
- TC** Test Cap Trim
- STN** Satin Nickel finish
- CHKS** Integral check stops
- B** Brass escutcheon (chrome only)
- X** Integral service stops - allows water shut-off at valve for service
- REV** Reverse seat, hot on right, cold on left, for back to back installations

### Model Numbers

- 9601-PLR**  
Shower Trim with Temptrol Pressure Balancing Shower Valve (modifiers include decimal points and hyphens)
- 9601PLR**  
Shower Trim with Temptrol Pressure Balancing Shower Valve (use when ordering L1-L7 modifications, do not use hyphens or decimal points)
- 9601-PLR-TRM**  
Shower Trim, Temptrol Pressure Balancing Shower Valve ordered separately (modifiers include decimal points and hyphens)
- 9601PLRTRM**  
Shower Trim (use when ordering L1-L7 and TC modifications, do not use hyphens or decimal points)

**Note:**

-To create trim sku, follow the format:  
Base SKU -> PLR -> Finish -> Modifier (L1-L7) -> Flow Rate (if lower than standard) -> TRM -> TC (if applicable)  
-To create valve & trim sku, follow the format:  
Base SKU -> X or CHKS -> PLR -> Finish -> Modifier (L1-L7) -> Flow Rate (if lower than standard)  
-For B and REV modifications, contact customer service for your sku

### Compliance

- ASME A112.18.1/CSA B125.1
- WaterSense 1.5 gpm (5.7 L/min), 2.0 gpm (7.6 L/min)
- Buy American Act (9601-PLR only)



### Warranty

**Limited Lifetime** - to the original end purchaser in consumer/residential installations.

**10 Years** - for commercial/industrial installations. Refer to [www.symmons.com/warranty](http://www.symmons.com/warranty) for complete warranty information.

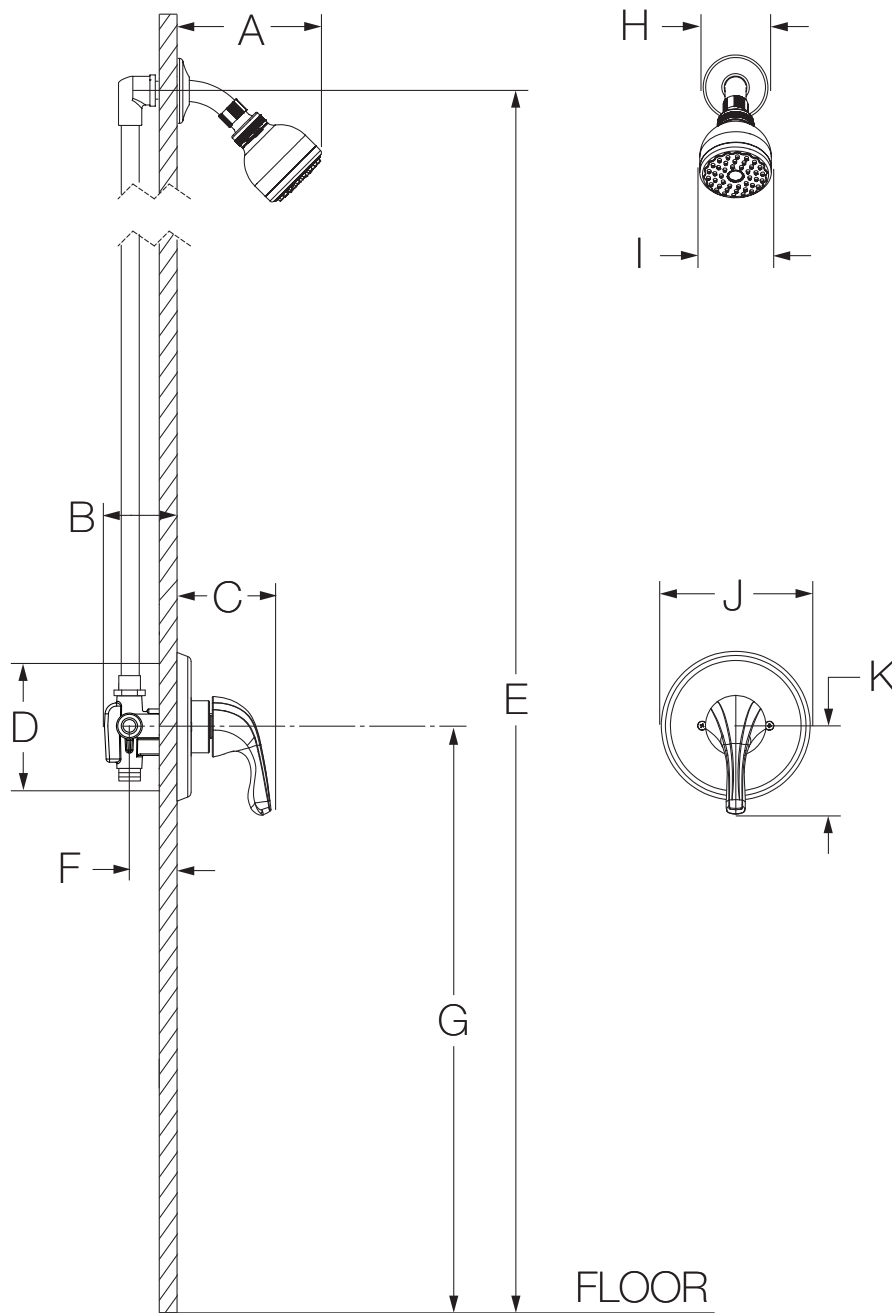


## Architectural/ Engineering Specification

Symmons Origins \_\_\_\_\_ With Origins Shower System or Trim, requires temptrol® pressure balancing shower valve (included with 9601-PLR), adjustable stop screw to limit handle turn (included with 9601-PLR), Metal lever handle, 1 mode showerhead with easy to clean nozzles, 2.0 gpm (7.6 L/min) flow restrictor, Tub spout not included, Components shall be metal and nonmetallic construction, plated in standard Polished Chrome finish, Available with TA-10 flow control spindle and T-12A cap assembly for Temptrol valve bodies installed with Test Cap (order p/n 9601PLRTRMTC). 10 Year Commercial Warranty. ASME A112.18.1/CSA B125.1, WaterSense 1.5 gpm (5.7 L/min), 2.0 gpm (7.6 L/min), complaint. Available options include: "1.2 - 1.2 gpm (4.5 L/min) flow restrictor", "1.5 - 1.5 gpm (5.7 L/min) flow restrictor", "1.75 - 1.75 gpm (6.6 L/min) flow restrictor", "L1 - Less showerhead", "L7 - Less handle", "TC - Test Cap Trim", "STN - Satin Nickel finish", "B - Brass escutcheon (chrome only)", "X - Integral service stops - allows water shut-off at valve for service", "CHKS - Integral check stop", and "REV - Reverse seat, hot on right, cold on left, for back to back installations".

9601-PLR, 9601-PLR-TRM, 9601PLR,  
9601PLRTRM

## Dimensions



Measurements	
<b>A</b>	6-3/8", 162 mm
<b>B</b>	3-1/2", 89 mm
<b>C</b>	3-5/8", 92 mm
<b>D</b>	Shower Valve Hole Size Min. Ø 3", 76 mm Max. Ø 4", 102 mm
<b>E</b>	Ref. 77", 1956 mm
<b>F</b>	Rough-in 2-3/8" ± 1/2", 60 mm ± 13 mm
<b>G</b>	Ref. 42", 1067 mm
<b>H</b>	Ø 2-1/2", 64 mm
<b>I</b>	Ø 2-3/4", 70 mm
<b>J</b>	Ø 5-3/4", 146 mm
<b>K</b>	3-3/8", 86 mm