




# Location:



S-4204-TRM, S4204TRMTC

Tub/Hand Shower Trim

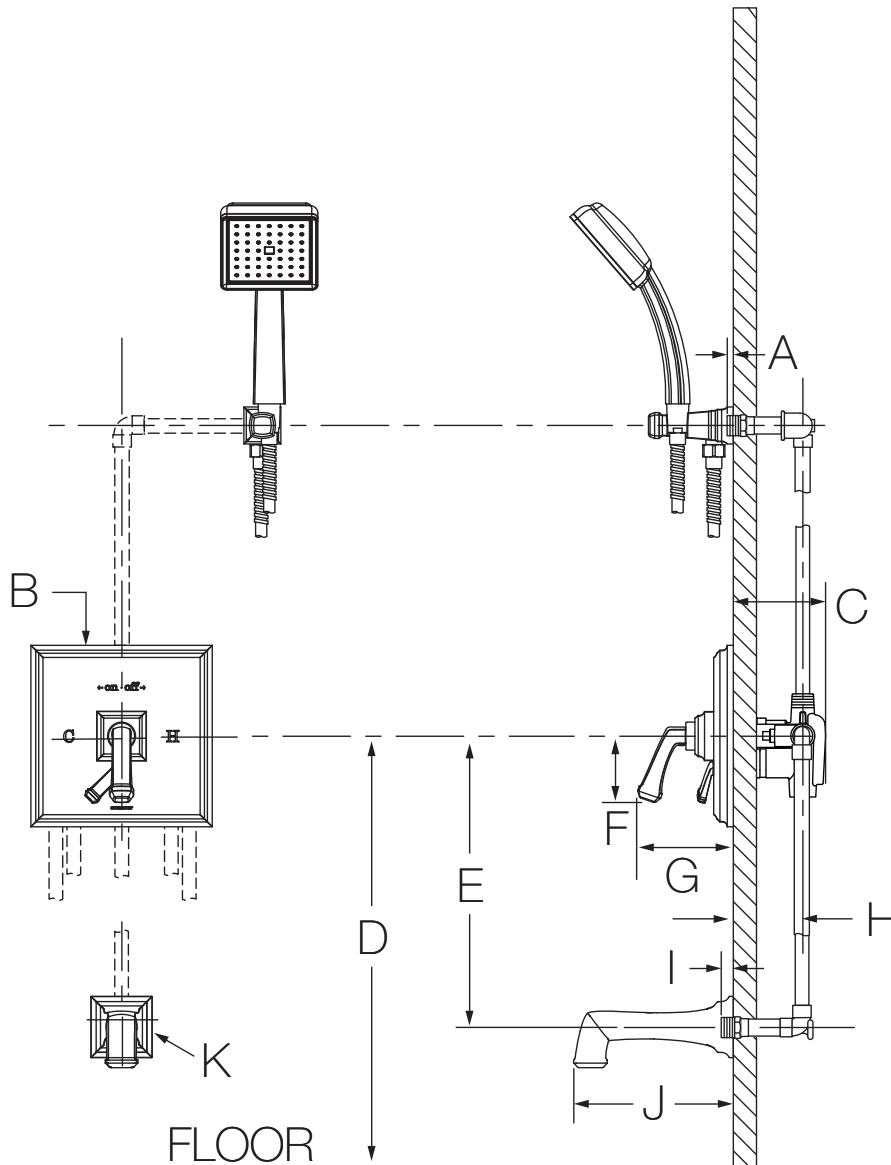
## Specification Submittal

Model Numbers	Feature Highlights
<p><input type="checkbox"/> <b>S-4204-TRM</b> Tub/Hand Shower Trim with integral diverter control, Temptrol Pressure Balancing Tub/Shower Valve ordered separately</p> <p><input type="checkbox"/> <b>S4204TRMTC</b> Tub/Hand Shower Trim with integral diverter control, TA-10 flow control spindle and T-12A cap assembly, must order Temptrol valve with Test Cap</p>	<ul style="list-style-type: none"> <li>• Oxford Tub/Hand Shower Trim</li> <li>• Requires Temptrol® Pressure Balancing Tub/Shower Valve</li> <li>• Integral diverter control</li> <li>• Metal lever handle</li> <li>• 6-1/2" non-diverter tub spout</li> <li>• Cradle for hand shower wand</li> <li>• 60" flexible metal hose</li> <li>• 1 mode hand shower</li> <li>• Dual checks for backflow protection</li> <li>• 2.0 gpm (7.6 L/min) flow restrictor</li> <li>• Components shall be metal and nonmetallic construction, plated in standard Polished Chrome finish</li> <li>• Available with TA-10 flow control spindle and T-12A cap assembly for Temptrol valve bodies installed with Test Cap (order p/n S4204TRMTC)</li> <li>• For optional in-line vacuum breaker order p/n EF-109</li> </ul>
<p><b>Options/ Modifications</b></p> <p><input type="checkbox"/> <b>1.5</b>  <b>1.5 gpm (5.7 L/min) flow restrictor</b></p> <p><input type="checkbox"/> <b>STN</b> <b>Satin Nickel finish</b></p> <p><b>Note:</b> Append appropriate -suffix to model number.</p>	
<p><b>Compliance</b></p> <p>- ASME A112.18.1/CSA B125.1</p> 	<p><b>Warranty</b></p> <p><b>Limited Lifetime</b> - to the original end purchaser in consumer/residential installations.</p> <p><b>10 Years</b> - for commercial/industrial installations. Refer to <a href="http://www.symmons.com/warranty">www.symmons.com/warranty</a> for complete warranty information.</p> 

## Architectural/ Engineering Specification

Symmons Oxford Tub and Hand Shower Trim \_\_\_\_\_ Includes Oxford Tub and Hand Shower Trim, Requires Temptrol® Pressure Balancing Tub and Shower Valve, Integral diverter control, Metal lever handle 6-1/2" non-diverter tub spout, Cradle for hand shower wand, 60" flexible metal hose, 1 mode hand shower, Dual checks for backflow protection, 2.0 gpm (7.6 L/min) flow restrictor, Components shall be metal and nonmetallic construction, plated in standard Polished Chrome finish, Available with TA-10 flow control spindle and T-12A cap assembly for Temptrol valve bodies installed with Test Cap (order p/n S4204TRMTC), For optional in-line vacuum breaker order p/n EF-109. 10 Year Commercial Warranty. ASME A112.18.1/CSA B125.1 compliant. Available options: "1.5 - 1.5 gpm (5.7 L/min) flow restrictor", "STN - Satin Nickel finish".

## Dimensions



Measurements	
<b>A</b>	Male 1/2" IPS thread must protrude 1/4" (6 mm) from finished wall
<b>B</b>	Sq. 7-1/2", 191 mm
<b>C</b>	3-1/2", 89 mm
<b>D</b>	Ref. 32", 813 mm
<b>E</b>	Ref. 12", 305 mm
<b>F</b>	2-9/16", 65 mm
<b>G</b>	4", 102 mm
<b>H</b>	Rough-in 2-3/8" ± 1/2", 60 mm ± 13 mm
<b>I</b>	Male 1/2-14 NPT fitting must protrude 1/2" (13 mm) from finished wall
<b>J</b>	6-1/2", 165 mm
<b>K</b>	Sq. 2-1/2", 64mm

### Notes:

- 1) Valve body and piping not included and shown as reference only.
- 2) Plaster shield (p/n T-176) for dry wall, plaster or other type walls 1/2" or greater.
- 3) All dimensions measured from nominal rough-in (see H as reference).
- 4) Dimensions subject to change without notice.