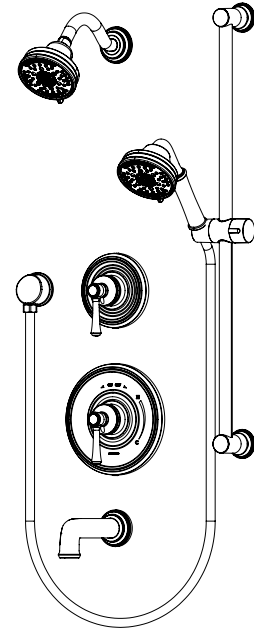




SYMMONS® Braston®



Parts Breakdown Document

Model Numbers

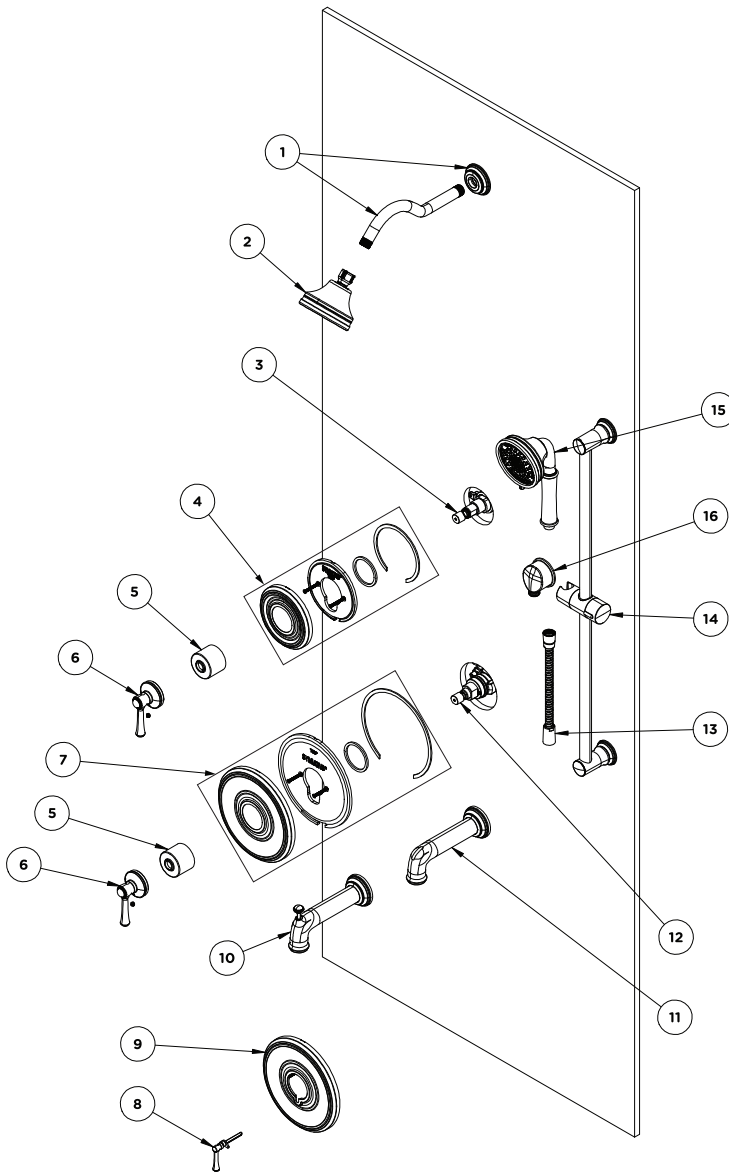
Temptrol®

- 5890** Braston Shower Valve Trim, Valve only
- 5891** Braston Shower Valve Trim, with Showerhead
- 5892** Braston Tub/Shower Trim, with Showerhead
- 5893** Braston Shower Trim, with Hand Shower System
- 5895** Braston Shower Trim, with Diverter Trim, Showerhead, and Hand Shower System
- 5896** Braston Tub/Shower Trim, with Diverter Trim, Tub Spout, Showerhead, and Hand Shower System

Temptrol® VersaFlex™

- S5890** Braston Shower Valve Trim, Valve only with Diverter Lever
- S5891** Braston Shower Trim, with Showerhead and Diverter Lever
- S5892** Braston Tub/Shower Trim, with Showerhead and Diverter Lever
- S5894** Braston Tub/Shower Trim, with Hand Shower System, Diverter Lever, and Tub Spout
- S5898** Braston Shower Trim with Diverter Lever, Showerhead, and Hand Shower System

Parts Breakdown



#	Description	Part Number
1	Braston Shower Arm and Flange	582SA*
2	4" HydroMersion™ Multi-Mode Showerhead	582SH7*
3	Diverter Assembly, 4-Port	3DIVBODYSRRT (3DIVBODYSRRTNS for California)
	Diverter Assembly, 3-Port	2DIVBODYSRRT (2DIVBODYSRRTNS for California)
4	Braston Diverter Escutcheon Kit	RTS164*
5	Dome Cover	T-19*
6	Braston Shower Handle	RTS163*
7	Braston Escutcheon Kit	RTS161*
8	Braston Diverter Lever	RTS165*
9	Braston VersaFlex™ Escutcheon Kit	RTS162*
10	Braston Diverter Tub Spout (Slip-On)	582DTS*
11	Braston Tub Spout (Slip-On)	582TS*
12	Spindle, Temptrol®	TA-10
	Cap Assembly	TA-12A
13	Hand Shower Hose 5'	EF-104*
14	Braston Slide Bar Assembly	RTS167*
15	4" HydroMersion Multi-Mode Hand Shower Wand	582W7*
16	Wall Elbow, Type 2 Drop	RO-004*

*If finish is OTHER than chrome, part requires finish modifier

Finish Modifiers:

- BBZ - Brushed Bronze finish
- MB - Matte Black finish
- STN - Satin Nickel finish