

- Design & Dimensions subject to change
- Consult your Symmons Sales Representative for Timeline

REQUIRES:

THIS DOCUMENT CONTAINS PROPRIETARY INFORMATION OF SYMMONS INDUSTRIES, INC. AND NEITHER THIS DOCUMENT OR ANY OF SAID PROPRIETARY INFORMATION SHALL BE PUBLISHED, REPRODUCED, COPIED, DISCLOSED OR USED FOR ANY PURPOSE WITHOUT THE EXPRESS WRITTEN PERMISSION OF A DULY AUTHORIZED REPRESENTATIVE OF SYMMONS INDUSTRIES, INC.

PRODUCT NAME:
 Tip-Tap Drain

ADDITIONAL NOTE: DIMESNSIONS SHOWN AS REFERENCE ONLY
 NOT AN INSTALLATION DOCUMENT

DATE
 2-14-2018

SYMMONS MODEL#
 P-02827-BBZ

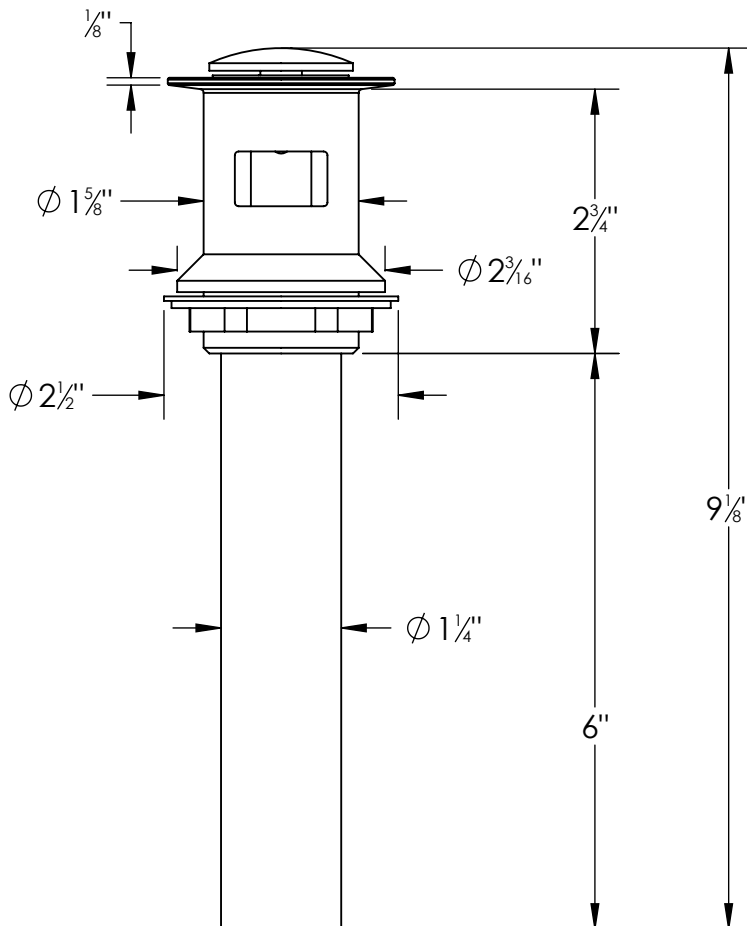
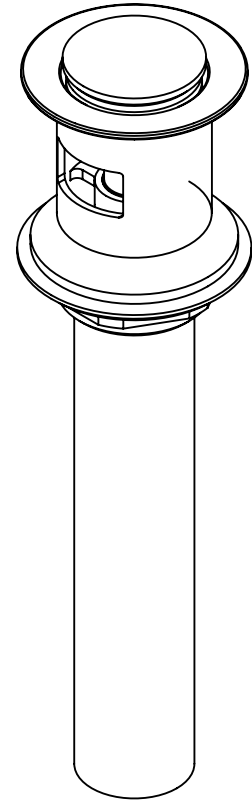
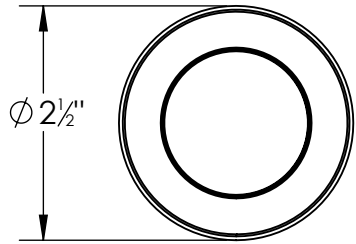
VERSION:
 A


FINISH:
 Brushed Bronze

Approved by:

Approval Date:

Approval Signature:



<ul style="list-style-type: none"> • Design & Dimensions subject to change • Consult your Symmons Sales Representative for Timeline 		REQUIRES:		<p>"THIS DOCUMENT CONTAINS PROPRIETARY INFORMATION OF SYMMONS INDUSTRIES, INC. AND NEITHER THIS DOCUMENT OR ANY OF SAID PROPRIETARY INFORMATION SHALL BE PUBLISHED, REPRODUCED, COPIED, DISCLOSED OR USED FOR ANY PURPOSE WITHOUT THE EXPRESS WRITTEN PERMISSION OF A DULY AUTHORIZED REPRESENTATIVE OF SYMMONS INDUSTRIES, INC."</p>  <p>SYMMONS INDUSTRIES 31 BROOKS DRIVE BRAINTREE, MA 02184 1-800-SYMMONS www.symmons.com</p>
PRODUCT NAME: Tip-Tap Drain		ADDITIONAL NOTE: DIMENSIONS SHOWN AS REFERENCE ONLY NOT AN INSTALLATION DOCUMENT		
DATE 2-14-2018	SYMMONS MODEL# P-02827-BBZ	VERSION: A	FINISH: Brushed Bronze	
Approved by:		Approval Date:	Approval Signature:	