

Location:




3601-TRM, 3601TRM
Shower Trim
Specification Submittal

Feature Highlights

- Duro Shower Trim
- Requires Temptrol® Pressure Balancing Shower Valve
- Metal lever handle
- 1 mode showerhead
- Standard flow rate 2.0 gpm (7.6 L/min) flow restrictors
- Tub spout not included
- Components shall be metal and nonmetallic construction, plated in standard Polished Chrome finish
- Available with TA-10 flow control spindle and T-12A cap assembly for Temptrol valve bodies installed with Test Cap (order p/n 3601TRMTC)

Options/Modifications

- 1.5**  1.5 gpm (5.7 L/min) flow restrictor
- L1** Less showerhead
- L7** Less handle
- TC** Test Cap Trim (includes TA-10&T-12A) used with 16 series Temptrol Valve
- BBZ** Brushed Bronze finish
- MB** Matte Black finish
- STN** Satin Nickel finish
- SH4** Square, 1 mode showerhead

Model Numbers

- 3601-TRM**
Tub/Shower System Trim (modifiers include decimal points and hyphens)
Note: To create sku, follow the format:
Base SKU -> CYL -> Finish -> Flow Rate (if lower than standard) -> TRM
- 3601TRM**
Tub/Shower System Trim (use when ordering L1-L7 and TC modification, do not use hyphens or decimal points)
Note: To create sku, follow the format:
Base SKU -> Finish -> Modifier (L1-L7) -> Flow Rate (if lower than standard) -> TRM -> TC

Warranty

Limited Lifetime - to the original end purchaser in consumer/residential installations.
10 Years - for commercial/industrial installations. Refer to www.symmons.com/warranty for complete warranty information.



Compliance

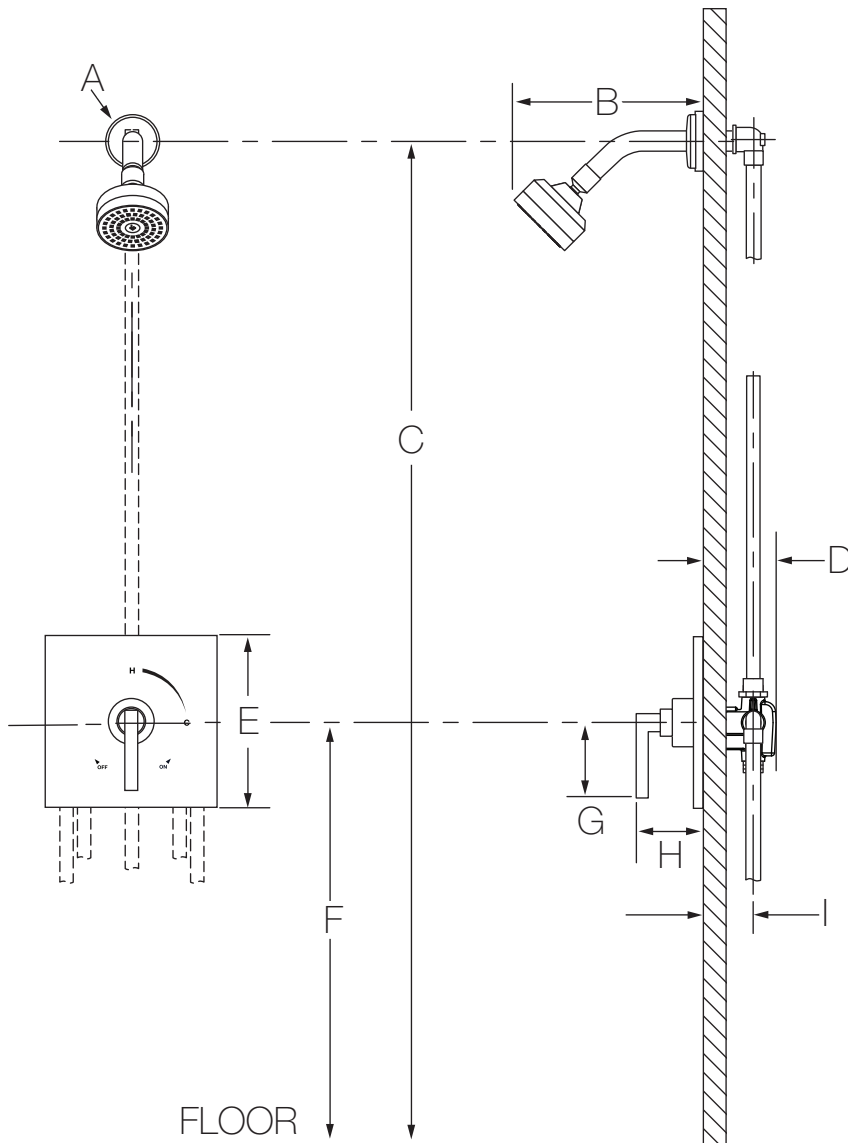
- ASME A112.18.1/CSA B125.1
- WaterSense 1.5 gpm (5.7 L/min), 2.0 gpm (7.6 L/min)



Architectural/Engineering Specification

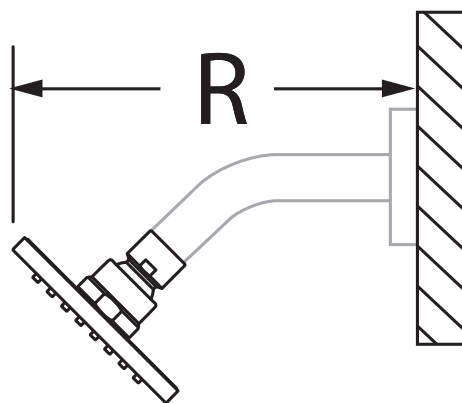
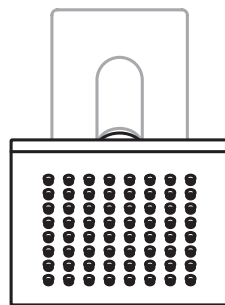
Symmons Duro Shower Trim _____ Includes Duro Shower Trim, Requires Temptrol® Pressure Balancing Shower Valve, Metal lever handle, 1 mode showerhead, Standard flow rate 2.0 gpm (7.6 L/min) flow restrictors, Tub spout not included, Components shall be metal and nonmetallic construction, plated in standard Polished Chrome finish, Available with TA-10 flow control spindle and T-12A cap assembly for Temptrol valve bodies installed with Test Cap (order p/n 3601TRMTC). 10 Year Commercial Warranty. ASME A112.18.1/CSA B125.1, WaterSense 1.5 gpm (5.7 L/min), 2.0 gpm (7.6 L/min) compliant. Available options: "1.5 - 1.5 gpm (5.7 L/min) flow restrictor", "Delete Suffix B - Chrome plastic escutcheon on valve with color graphics/indicators in place of standard brass escutcheon", "SH4 - Square, 1 mode showerhead", "TRM - Trim only, valve not included", "L1 - Less showerhead", "L2 - Less hand shower (wand only)", "L3 - Less showerhead and hand shower (head and wand only)", "L4 - Less head, arm and flange", "L5 - Less hand shower system (less bar/cradle, hose, wand and elbow)", "L6 - Less tub spout", "L7 - Less handle", "TC - Test Cap Trim", "BBZ - Brushed Bronze finish", "MB - Matte Black finish", and "STN - Satin Nickel finish".

Dimensions



Measurements	
A	Ø 2-1/2", 64 mm
B	6", 152 mm
C	Ref. 77", 1956 mm
D	3-1/2", 89 mm
E	Sq. 7-1/2", 191 mm
F	Ref. 42", 1067 mm
G	3-1/8", 79 mm
H	3-1/2", 89 mm
I	Rough-in 2-3/8" ± 1/2", 60 mm ± 13 mm
J	6-3/4", 171 mm
K	6-3/4", 171 mm
L	5-5/8", 143 mm
S	6-3/4", 171 mm
T	6", 152 mm
U	5-5/8", 143 mm
V	3", 76 mm
W	2-7/8", 73 mm
X	1-3/8", 35 mm
Y	2-7/8", 73 mm
Z	2-1/4", 57 mm
AA	2-3/4", 70 mm
BB	6", 152 mm
CC	Female 1/2-14 NPT fitting must be recessed 3/8" (10 mm) from finished wall

-SH4



Notes:

- 1) Valve body and piping not included and shown as reference only.
- 2) Plaster shield (p/n T-176) for dry wall, plaster or other type walls 1/2" or greater.
- 3) All dimensions measured from nominal rough-in (see I as reference).
- 4) Dimensions subject to change without notice.