

# Location:



9605-PLR, 9605-PLR-TRM, 9605-PLR-TRMTC,  
9605PLR, 9605PLRTRM, 9605PLRTRMTC

Shower/Hand Shower Trim

## Specification Submittal

### Feature Highlights

- Origins Shower/Hand Shower System or Trim
- Requires Temptrol® Pressure Balancing Shower Valve (included with 9605-PLR)
- Requires Symmons Dual Outlet Diverter Valve (included with 9605-PLR)
- Adjustable stop screw to limit handle turn (included with 9605-PLR)
- Metal lever handles
- ADA 36" grab bar for hand shower wand
- Dual checks for backflow protection
- 60" flexible metal hose
- ADA 1 mode hand shower wand with non-positive shutoff
- 1 mode showerhead with easy to clean nozzles
- 2.0 gpm (7.6 L/min) flow restrictors
- Tub spout not included
- Components shall be metal and nonmetallic construction, plated in standard Polished Chrome finish
- Available with TA-10 flow control spindle and T-12A cap assembly for Temptrol valve bodies installed with Test Cap (order p/n 9605PLRTRMTC)
- For optional in-line vacuum breaker order p/n EF-109

### Model Numbers

- 9605-PLR**  
Shower/Hand Shower Trim with Temptrol Pressure Balancing Shower Valve and Symmons Dual Outlet Diverter Valve
- 9605-PLR-TRM**  
Shower/Hand Shower Trim, Temptrol Pressure Balancing Shower Valve and Symmons Dual Outlet Diverter valve ordered separately
- 9605-PLR-TRMTC**  
Shower/Hand Shower Trim with TA-10 flow control spindle and T-12A cap assembly, must order Temptrol valve with Test Cap
- 9605-PLR**  
Shower/Hand Shower Trim with Temptrol Pressure Balancing Shower Valve and Symmons Dual Outlet Diverter Valve
- 9605-PLR-TRM**  
Shower/Hand Shower Trim, Temptrol Pressure Balancing Shower Valve and Symmons Dual Outlet Diverter valve ordered separately
- 9605-PLR-TRMTC**  
Shower/Hand Shower Trim with TA-10 flow control spindle and T-12A cap assembly, must order Temptrol valve with Test Cap

#### Note:

- Append appropriate -suffix to model number.
- When ordering L1-L7 modifiers, remove hyphens from model number.

### Options/Modifications

- 1.5 **CG** 1.5 gpm (5.7 L/min) flow restrictor
- L1 Less showerhead
- L2 Less hand shower wand
- L3 Less showerhead & hand shower wand
- L4 Less head, arm & flange
- L5 Less hand shower system
- L6 Less tub spout
- VP Vandal resistant escutcheon screws in place of standard screws
- STN Satin Nickel finish
- B Brass escutcheon (chrome only)
- X Integral service stops - allows water shut-off at valve for service
- CHKS Integral check stops - for use in installations where a positive shut-off device is used downstream of mixing valve

**Note:** Append appropriate suffix to model number.

### Compliance

- ASME A112.18.1/CSA B125.1
- Buy American Act (9605-PLR only)
- WaterSense @ 1.5 gpm (5.7 L/min), 2.0 gpm (7.6 L/min)
- (does not apply to L3 modification)



### Warranty

**Limited Lifetime** - for residential installations.  
**10 Years** - for commercial/industrial installations.  
Refer to [www.symmons.com/warranty](http://www.symmons.com/warranty) for complete warranty information.

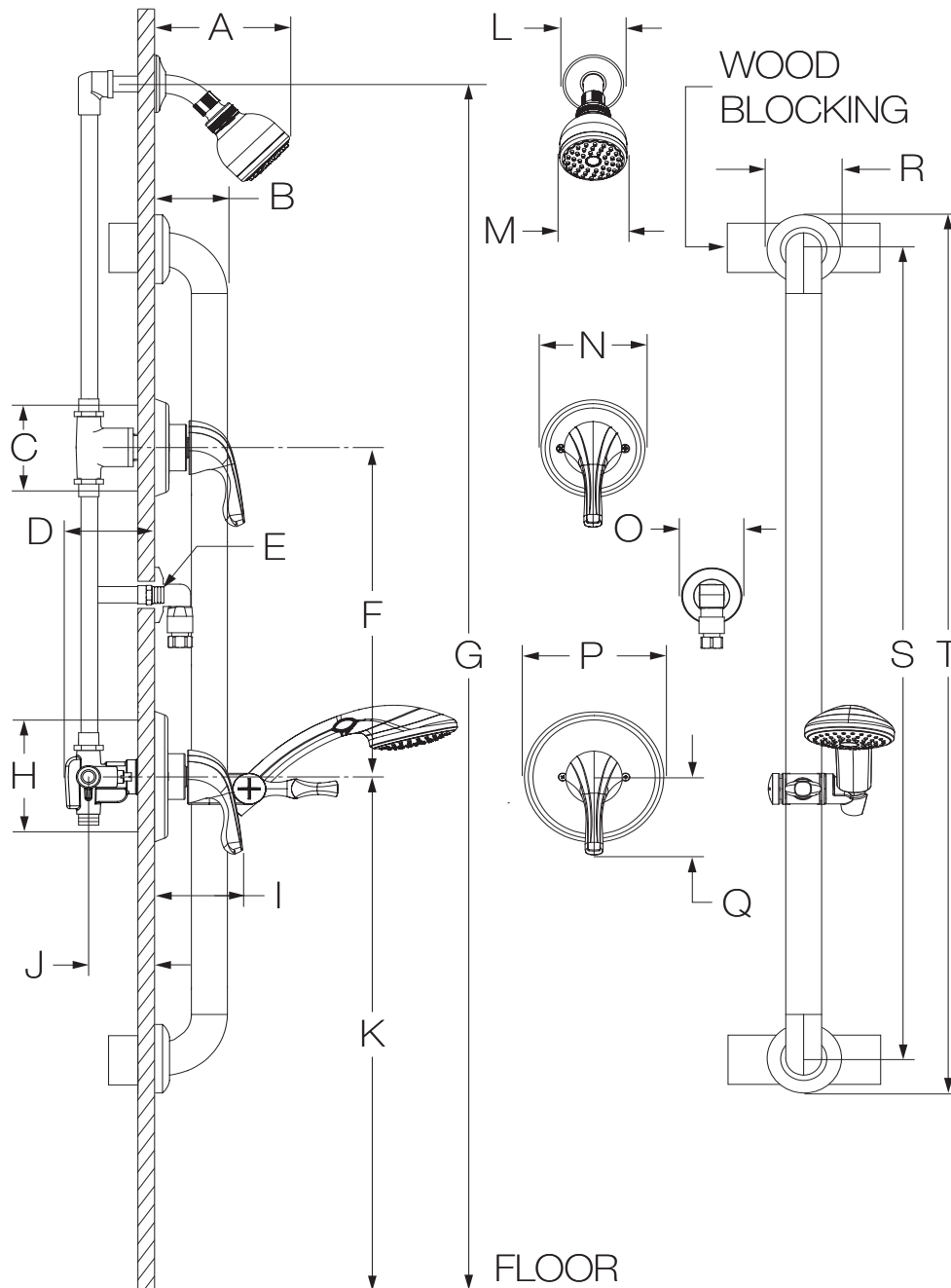


## Architectural/Engineering Specification

Symmons Origins \_\_\_\_\_ With Origins Shower/Hand Shower System or Trim, Requires Temptrol® Pressure Balancing Shower Valve (included with 9605-PLR), Requires Symmons Dual Outlet Diverter Valve (included with 9605-PLR), Adjustable stop screw to limit handle turn (included with 9605-PLR), Metal lever handles, ADA 36" grab bar for hand shower wand, Dual checks for backflow protection, 60" flexible metal hose, ADA 1 mode hand shower wand with non-positive shutoff, 1 mode showerhead with easy to clean nozzles, 2.0 gpm (7.6 L/min) flow restrictors, Tub spout not included, Components shall be metal and nonmetallic construction, plated in standard Polished Chrome finish, Available with TA-10 flow control spindle and T-12A cap assembly for Temptrol valve bodies installed with Test Cap (order p/n 9605PLRTRMTC), For optional in-line vacuum breaker order p/n EF-109. 10 Year Commercial Warranty. ASME A112.18.1/CSA B125.1, WaterSense @ 1.5 gpm (5.7 L/min), 2.0 gpm (7.6 L/min), complaint. Available options include: " 1.5 - 1.5 gpm (5.7 L/min) flow restrictor", "L1 - Less showerhead", "L2 - Less hand shower wand", "L3 - Less showerhead & hand shower wand", "L4 - Less head, arm & flange", "L5 - Less hand shower system", "L6 - Less tub spout", "VP - Vandal resistant escutcheon screws in place of standard screws", "STN - Satin Nickel finish", "B - Brass escutcheon (chrome only)", "X - Integral service stops - allows water shut-off at valve for service", "CHKS - Integral check stops - for use in installations where a positive shut-off device is used downstream of mixing valve".

9605-PLR, 9605-PLR-TRM, 9605-PLR-TRMTC, 9605PLR, 9605PLRTRM, 9605PLR-TRMTC

## Dimensions



Measurements	
<b>A</b>	6-3/8", 162 mm
<b>B</b>	3", 76 mm
<b>C</b>	Diverter Valve Hole Size Min. Ø 3", 76 mm Max. Ø 3-1/4", 83 mm
<b>D</b>	3-1/2", 89 mm
<b>E</b>	Male 1/2" NPT fitting must protrude 3/8" from finished wall
<b>F</b>	Ref. 10", 254 mm
<b>G</b>	Ref. 77", 1956 mm
<b>H</b>	Shower Valve Hole Size Min. Ø 3", 76 mm Max. Ø 4", 102 mm
<b>I</b>	3-5/8", 92 mm
<b>J</b>	Rough-in 2-3/8" ± 1/2", 60 mm ± 13 mm
<b>K</b>	Ref. 32", 813 mm
<b>L</b>	Ø 2-1/2", 64 mm
<b>M</b>	Ø 2-3/4", 70 mm
<b>N</b>	Ø 4-1/4", 108 mm
<b>O</b>	Ø 2-1/2", 64 mm
<b>P</b>	Ø 5-3/4", 146 mm
<b>Q</b>	3-3/8", 86 mm
<b>R</b>	Ø 3-1/8", 79 mm
<b>S</b>	36", 914 mm
<b>T</b>	39", 991 mm

### Notes:

- 1) Valve body and piping not included and shown as reference only.
- 2) Plaster shield (p/n T-176) for dry wall, plaster or other type walls 1/2" or greater.
- 3) All dimensions measured from nominal rough-in (see J as reference).
- 4) Dimensions subject to change without notice.