




682SH7
6" 7-Mode Round Showerhead

Location:

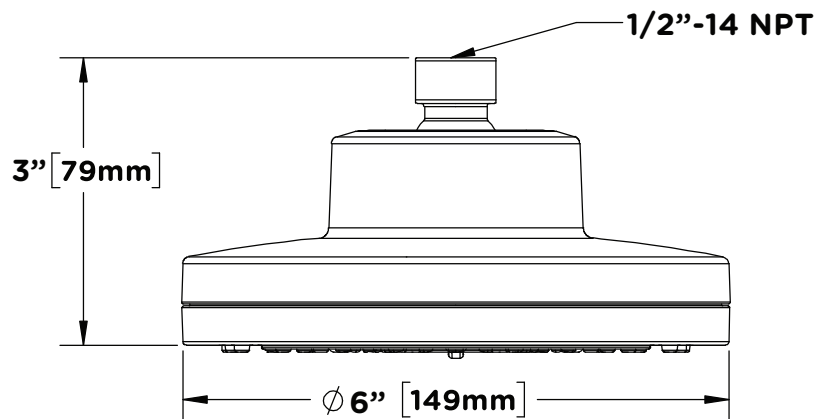
Specification Submittal

Model Numbers	Feature Highlights
<input type="checkbox"/> 682SH7 6" 7-Mode Round HydroMersion Showerhead	<ul style="list-style-type: none"> 6" round HydroMersion showerhead. 7 modes including: Full, Massage, Dual, Center, Waterfall, Spa, and Non-Positive Shutoff (NPSO). Rubber nozzles. 2.0 gpm (7.6 L/min) standard flow rate. Standard Polished Chrome finish. Includes metal ball joint.
Compliance -ASME® A112.18.1/CSA® B125.1 -WaterSense® 2.0 gpm (7.6 L/min)  	
Options/Modifications	Warranty
<input type="checkbox"/> BBZ Brushed Bronze finish <input type="checkbox"/> MB Matte Black finish <input type="checkbox"/> STN Satin Nickel finish <input type="checkbox"/> 15 1.5 gpm (5.7 L/min) flow restrictor	Limited Lifetime - for residential installations. 10 Years - for commercial/industrial installations. Refer to www.symmons.com/warranty for complete warranty information. 

Architectural/Engineering Specification

Symmons _____ 6" 7-mode round showerhead. 7 modes including: Full, Massage, Dual, Center, Waterfall, Spa, and Non-Positive Shutoff (NPSO). Includes 6" HydroMersion round showerhead, rubber nozzles, 2.0 gpm (7.6 L/min) standard flow rate, and standard Polished Chrome finish. 10-Year Commercial Warranty. ASME A112.18.1/CSA B125.1 and WaterSense 2.0 gpm (7.6 L/min) compliant. Options include: BBZ = Brushed Bronze finish, MB = Matte Black finish, STN = Satin Nickel finish, and 15 = 1.5 gpm (5.7 L/min) flow restrictor.

Dimensions



⚠ WARNING: This product can expose you to chemicals including lead, which is known to the state of California to cause cancer, birth defects, or other reproductive harm. For more information, go to www.P65Warnings.ca.gov.