




Location:



S-6702-TRM, S6702TRM
Tub/Shower Trim
Specification Submittal

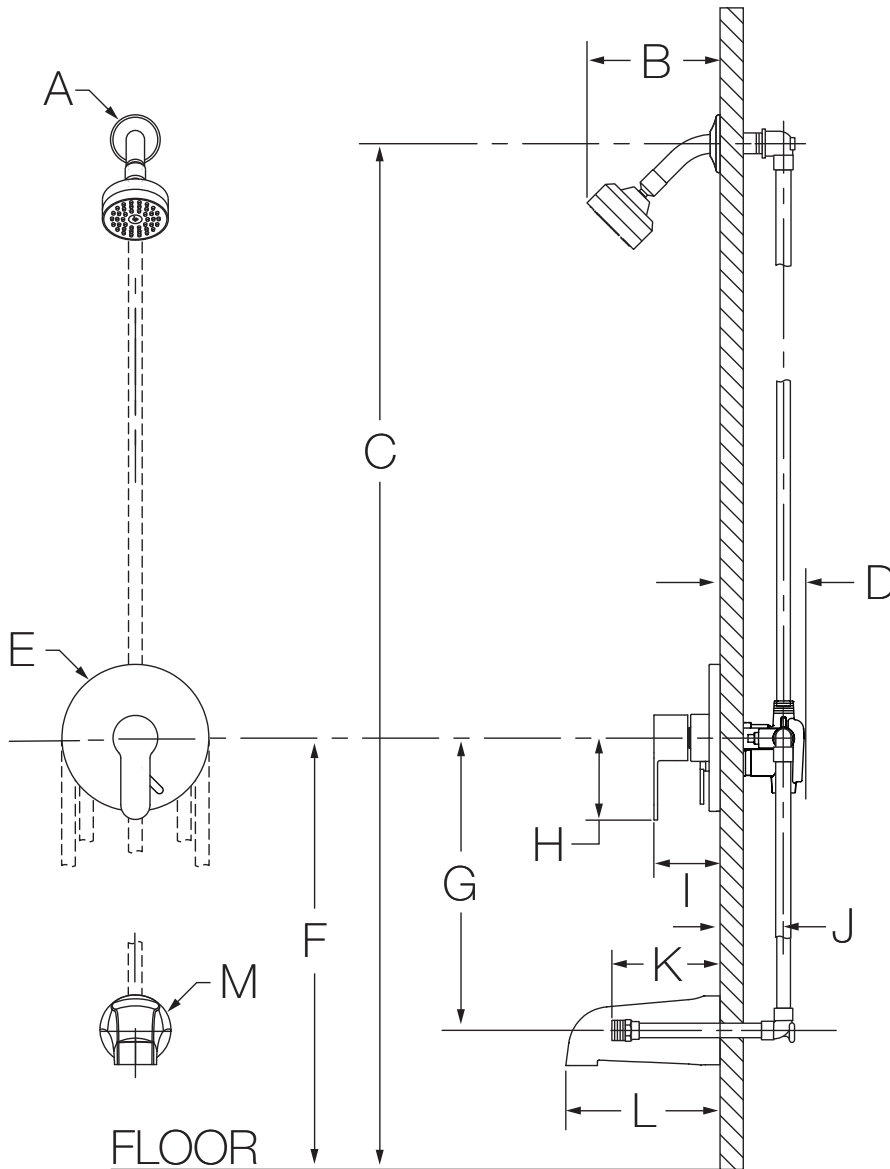


Feature Highlights	Options/Modifications
<ul style="list-style-type: none"> Identity Tub/Shower Trim Requires Temptrol® Pressure Balancing Tub/Shower Valve Integral diverter control Metal lever handle 5-1/4" non-diverter tub spout 1 mode showerhead with easy to clean nozzles 2.0 gpm (7.6 L/min) flow restrictor Components shall be metal and nonmetallic construction, plated in standard Polished Chrome finish Available with TA-10 flow control spindle and T-12A cap assembly for Temptrol valve bodies installed with Test Cap (order p/n S6702TRMTC) 	<ul style="list-style-type: none"> <input type="checkbox"/> -1.5  1.5 gpm (5.7 L/min) flow restrictor <input type="checkbox"/> L1 Less showerhead <input type="checkbox"/> L7 Less handle <input type="checkbox"/> TC Test Cap Trim <input type="checkbox"/> -STN Satin Nickel finish <input type="checkbox"/> -SS Slip on tub spout <input type="checkbox"/> -MB Matte Black finish <input type="checkbox"/> -BBZ Brushed Bronze finish
Model Numbers	Compliance
<ul style="list-style-type: none"> <input type="checkbox"/> S-6702-TRM Tub/Shower Trim with integral volume control, Temp-trol Pressure Balancing Shower Valve order separately (modifiers include decimal points and hyphens) Note: To create sku, follow the format: Base SKU -> Finish -> Flow Rate (If lower than standard) -> TRM <input type="checkbox"/> S6702TRM Tub/Shower Trim with integral volume control (use when ordering L1-L7 and TC modifications, do not use hyphens or decimal points) Note: To creat sku, follow the format: Base SKU -> Finish -> Modifier (L1-L7) -> Flow Rate (If lower than tandard) -> TRM -> TC 	<ul style="list-style-type: none"> ASME A112.18.1/CSA B125.1  <hr/> <h3>Warranty</h3> <p>Limited Lifetime - to the original end purchaser in consumer/residential installations.</p> <p>10 Years - for commercial/industrial installations. Refer to www.symmons.com/warranty for complete warranty information.</p> 

Architectural/ Engineering Specification

Symmons Identity Tub and Shower Trim _____ With Identity Tub and Shower Trim, Requires Temptrol® Pressure Balancing Tub and Shower Valve, Integral diverter control, Metal level handle, 5-1/4" non-diverter tub spout, 1 mode showerhead with easy to clean nozzles, 2.0 gpm (7.6 L/min) flow restrictor, Components shall be metal and nonmetallic construction, plated in standard Polished Chrome finish, Available with TA-10 flow control spindle and T-12A cap assembly for Temptrol valve bodies installed with Test Cap. 10 Year commercial Warranty. ASME A112.18.1/CSA B125.1, complaint. Available options include: "-1.5 - 1.5 gpm (5.7 L/min) flow restrictor", "L1 - Less showerhead", "L7 - Less handle", "-STN - Satin nickel finish", "-SS - Slip on tub spout", and "TC - Test Cap Trim", "-MB - Matte Black finish", "-BBZ - Brushed Bronze finish".

Dimensions



Measurements	
A	Ø 2-1/2", 64 mm
B	5-7/8", 149 mm
C	Ref. 77", 1956 mm
D	3-1/2", 89 mm
E	Ø 6-3/8", 162 mm
F	Ref. 32", 813 mm
G	Ref. 12", 305 mm
H	3-1/2", 89 mm
I	2-7/8", 73 mm
J	Rough-in 2-3/8" ± 1/2", 60 mm ± 13 mm
K	Male 1/2-14 NPT fitting must protrude 4" (102 mm) from finished wall
L	5-1/4", 133 mm
M	Ø 2-1/2", 64 mm

Notes:

- 1) Valve body and piping not included and shown as reference only.
- 2) Plaster shield (p/n T-176) for dry wall, plaster or other type walls 1/2" or greater.
- 3) All dimensions measured from nominal rough-in (see J as reference).
- 4) Dimensions subject to change without notice.