

Location:

**SYMMONS® Safetymix®**
Shower Valve System 4-500
Specification Submittal



Feature Highlights

- Symmons shower valve system with Symmons Safetymix pressure balancing mixing valve and lever style handle. Valve includes adjustable stop screw to limit handle turn.
- Polished chrome finish

Model Numbers

- 4-500
Shower Valve System with Symmons Safetymix® mixing valve
- 4-500-REB-TRM
Rebuild kit, Trim only, includes C-5 flow control spindle and SC-3 hot/cold seat

Finish Options

Append appropriate -suffix to model number.

- Polished chrome finish (standard)

Standards / Certifications

ASME A112.18.1/CSA B125.1

ASSE 1016

Americans with Disabilities Act (ADA) compliant



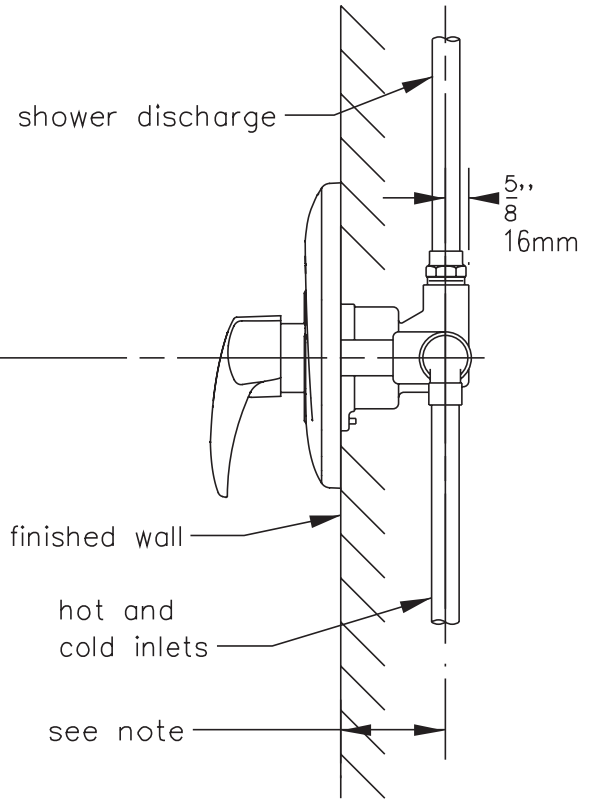
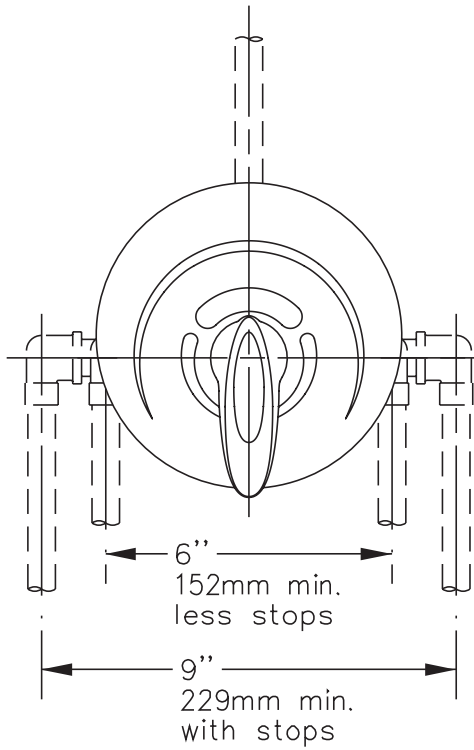
Options / Modifications

Append appropriate -suffix to model number.

- BX Back connection with integral stops
- G Dial thermometer
- VP Vandal resistant escutcheon screws in place of standard screws
- X Integral stops - allows water shut off at valve for service. Recommended for use on all multiple commercial installations
- X-3/4" 3/4" valve to increase flow approximately 20%
- X-CHKS Integral check stops - for use in installations where a positive shut-off device is used downstream of mixing valve

Warranty

- Limited Lifetime - to the original end purchaser in consumer installations
- 5 years - for commercial installations



NOTE: 2-3/8" (60mm) min.
 3" (76mm) max. 2-5/16" (59mm)
 fixed dim. metal stall.
 Valve inlets and outlets are
 1/2" (13mm) IPS connections.