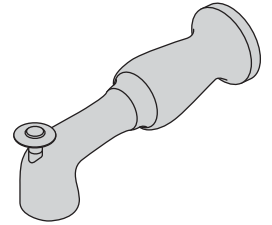




Location:

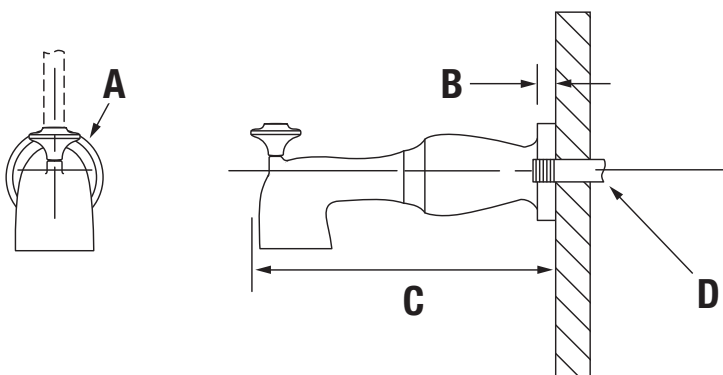


542TSD
Degas™ Diverter Tub Spout
Specification Submittal

Model Number	Specifications
<input type="checkbox"/> 542TSD <i>Degas Diverter Tub Spout</i>	8" diverter tub spout (542TSD) made from brass materials plated in standard polished chrome finish.
Modifications	
<input type="checkbox"/> -ORB <i>Oil rubbed bronze finish</i>	
<input type="checkbox"/> -STN <i>Satin nickel finish</i>	
<p>Note: Append appropriate -suffix to model number.</p>	Warranty
	<p>Limited Lifetime - to the original end purchaser in consumer installations. 5 Years - for commercial installations.</p> <p>Refer to www.symmons.com/warranty for complete warranty information.</p>

Dimensions

Measurements	
A	Ø 2 1/2", 64 mm
B	1/2", 13 mm
C	8", 203 mm
D	1/2" - 14 NPT



Note: Dimensions are subject to change without notice.