
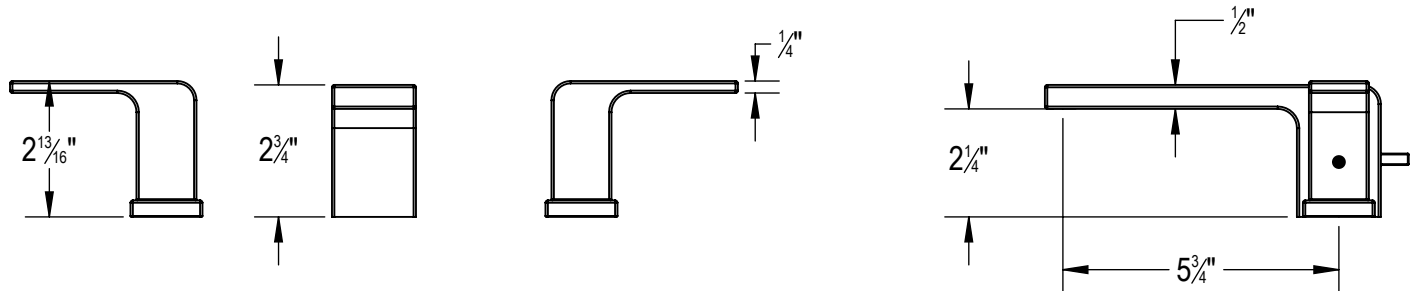
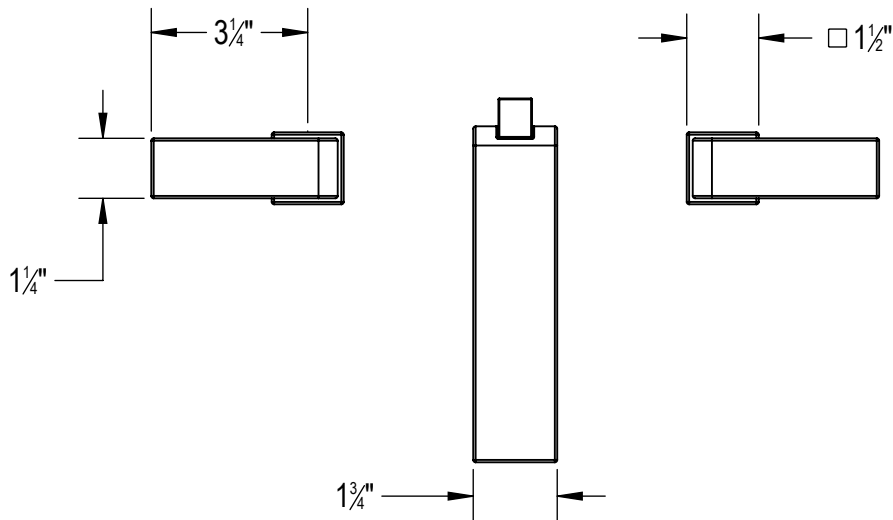



<ul style="list-style-type: none"> • Design & Dimensions subject to change • Consult your Symmons Sales Representative for Timeline 		REQUIRES:		<p>THIS DOCUMENT CONTAINS PROPRIETARY INFORMATION OF SYMMONS INDUSTRIES, INC. AND NEITHER THIS DOCUMENT OR ANY OF SAID PROPRIETARY INFORMATION SHALL BE PUBLISHED, REPRODUCED, COPIED, DISCLOSED OR USED FOR ANY PURPOSE WITHOUT THE EXPRESS WRITTEN PERMISSION OF A DULY AUTHORIZED REPRESENTATIVE OF SYMMONS INDUSTRIES, INC.*</p>  <p> SYMMONS® SYMMONS INDUSTRIES 31 BROOKS DRIVE BRAintree, MA 02184 1-800-SYMMONS www.symmons.com </p>
PRODUCT NAME: Widespread Lav		ADDITIONAL NOTE: FLOW RATE: 1.5 GPM		
DATE 10-17-2017	SYMMONS MODEL# CDSLW1248-8602-MBR-1.5	VERSION: A	FINISH: Matte Brass	
Approved by:		Approval Date:	Approval Signature:	



<ul style="list-style-type: none"> • Design & Dimensions subject to change • Consult your Symmons Sales Representative for Timeline 		REQUIRES:		<p>THIS DOCUMENT CONTAINS PROPRIETARY INFORMATION OF SYMMONS INDUSTRIES, INC. AND NEITHER THIS DOCUMENT OR ANY OF SAID PROPRIETARY INFORMATION SHALL BE PUBLISHED, REPRODUCED, COPIED, DISCLOSED OR USED FOR ANY PURPOSE WITHOUT THE EXPRESS WRITTEN PERMISSION OF A DULY AUTHORIZED REPRESENTATIVE OF SYMMONS INDUSTRIES, INC.</p>  <p> SYMMONS[®] SYMMONS INDUSTRIES 31 BROOKS DRIVE BRAINTREE, MA 02184 1-800-SYMMONS www.symmons.com </p>
PRODUCT NAME: Widespread Lav		ADDITIONAL NOTE: FLOW RATE: 1.5 GPM		
DATE 10-17-2017	SYMMONS MODEL# CDSLW1248-8602-MBR-1.5	VERSION: A	FINISH: Matte Brass	
Approved by:		Approval Date:	Approval Signature:	