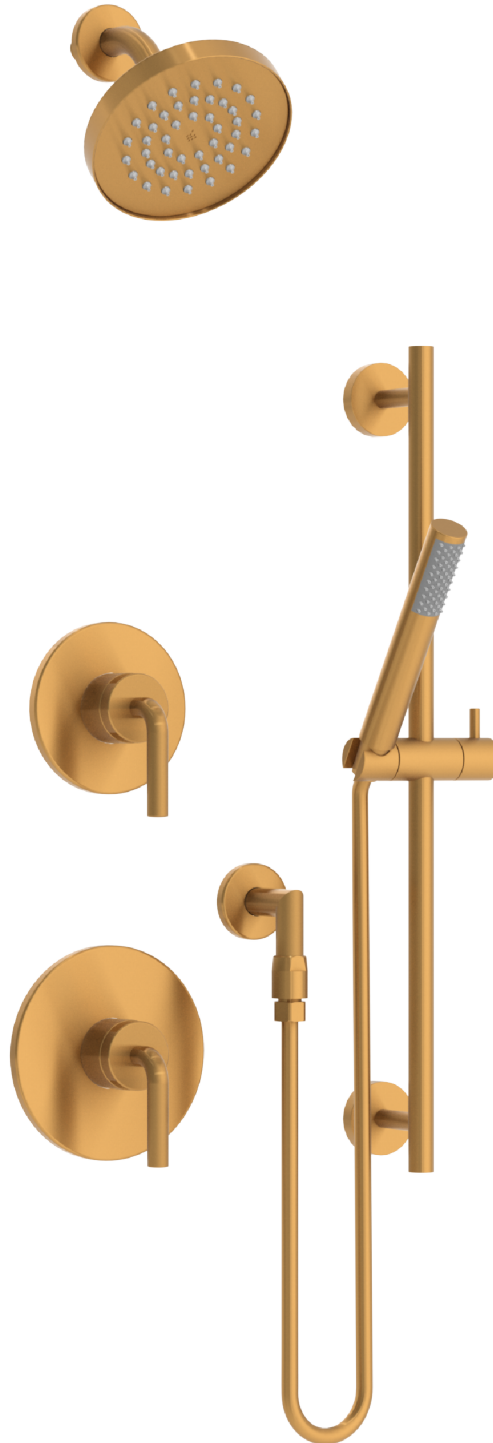


# Gettys Hotel - Chicago, IL

Shower/Hand Shower Trim

VERSION

**A**



- Design & Dimensions subject to change
- Consult your Symmons Sales Representative for Timeline

REQUIRES:

---

THIS DOCUMENT CONTAINS PROPRIETARY INFORMATION OF SYMMONS INDUSTRIES, INC. AND NEITHER THIS DOCUMENT OR ANY OF SAID PROPRIETARY INFORMATION SHALL BE PUBLISHED, REPRODUCED, COPIED, DISCLOSED OR USED FOR ANY PURPOSE WITHOUT THE EXPRESS WRITTEN PERMISSION OF A DULY AUTHORIZED REPRESENTATIVE OF SYMMONS INDUSTRIES, INC.\*

PRODUCT NAME:  
Shower/Hand Shower Trim

ADDITIONAL NOTE:

DATE  
11-27-2017

SYMMONS MODEL#  
CD1265-3505-532SH-BBZ-TRM

VERSION:  
A

FINISH:  
Brushed Bronze

Approved by:

Approval Date:

Approval Signature:

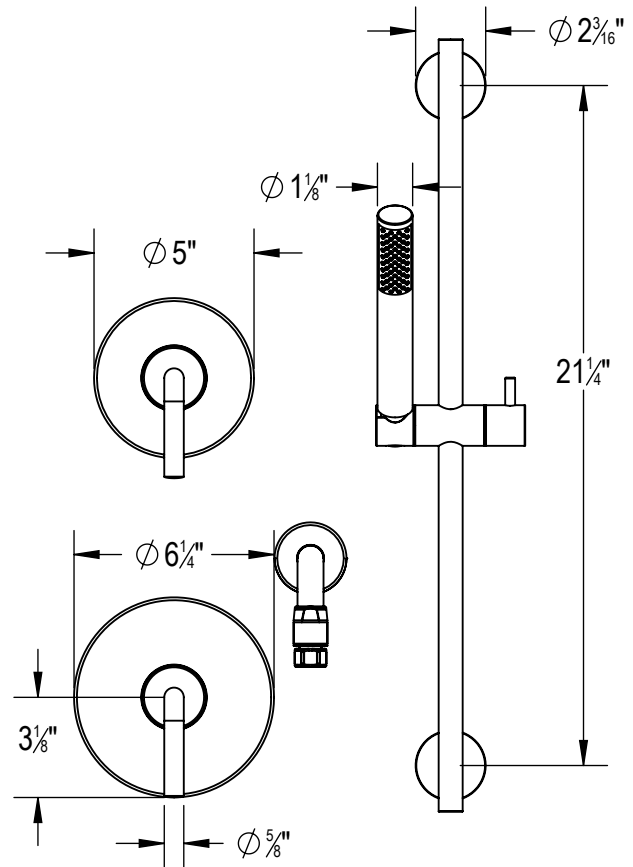
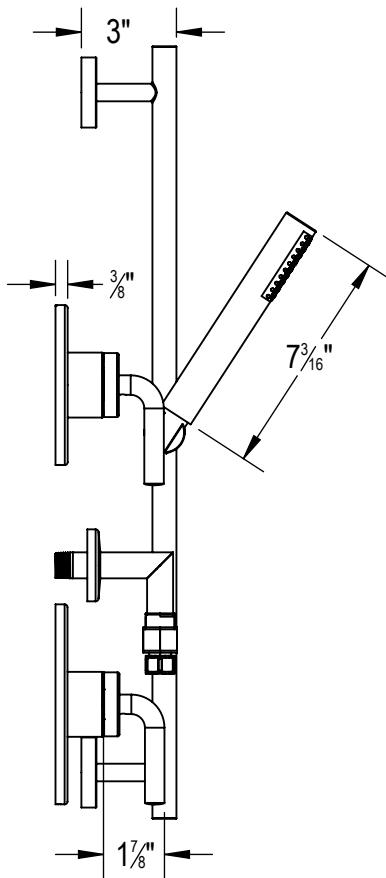
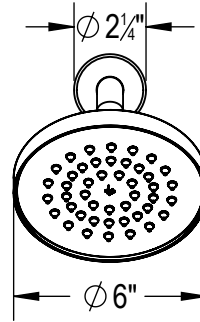
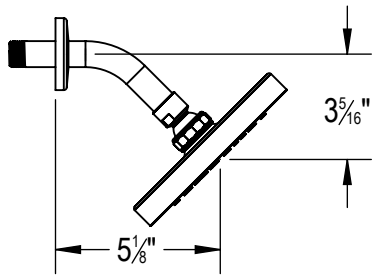
  
 SYMMONS INDUSTRIES  
 31 BROOKS DRIVE BRAintree, MA 02184  
 1-800-SYMMONS www.symmons.com

# Gettys Hotel - Chicago, IL

Shower/Hand Shower Trim

VERSION

**A**



- Design & Dimensions subject to change
- Consult your Symmons Sales Representative for Timeline

REQUIRES:

---

THIS DOCUMENT CONTAINS PROPRIETARY INFORMATION OF SYMMONS INDUSTRIES, INC. AND NEITHER THIS DOCUMENT OR ANY OF SAID PROPRIETARY INFORMATION SHALL BE PUBLISHED, REPRODUCED, COPIED, DISCLOSED OR USED FOR ANY PURPOSE WITHOUT THE EXPRESS WRITTEN PERMISSION OF A DULY AUTHORIZED REPRESENTATIVE OF SYMMONS INDUSTRIES, INC.™

PRODUCT NAME:  
Shower/Hand Shower Trim

ADDITIONAL NOTE:

DATE  
11-27-2017

SYMMONS MODEL#  
CD1265-3505-532SH-BBZ-TRM

VERSION:  
A

FINISH:  
Brushed Bronze

Approved by:

Approval Date:

Approval Signature:


  
 SYMMONS INDUSTRIES  
 31 BROOKS DRIVE BRAINTREE, MA 02184  
 1-800-SYMMONS www.symmons.com