

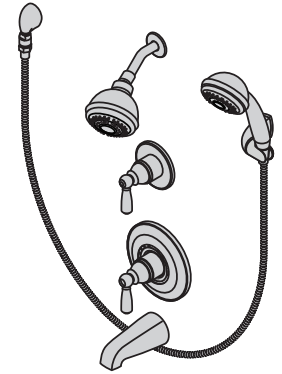




the smart choice™

4703-TRM, 4705-TRM, 4706-TRM

Allura® Trim Series

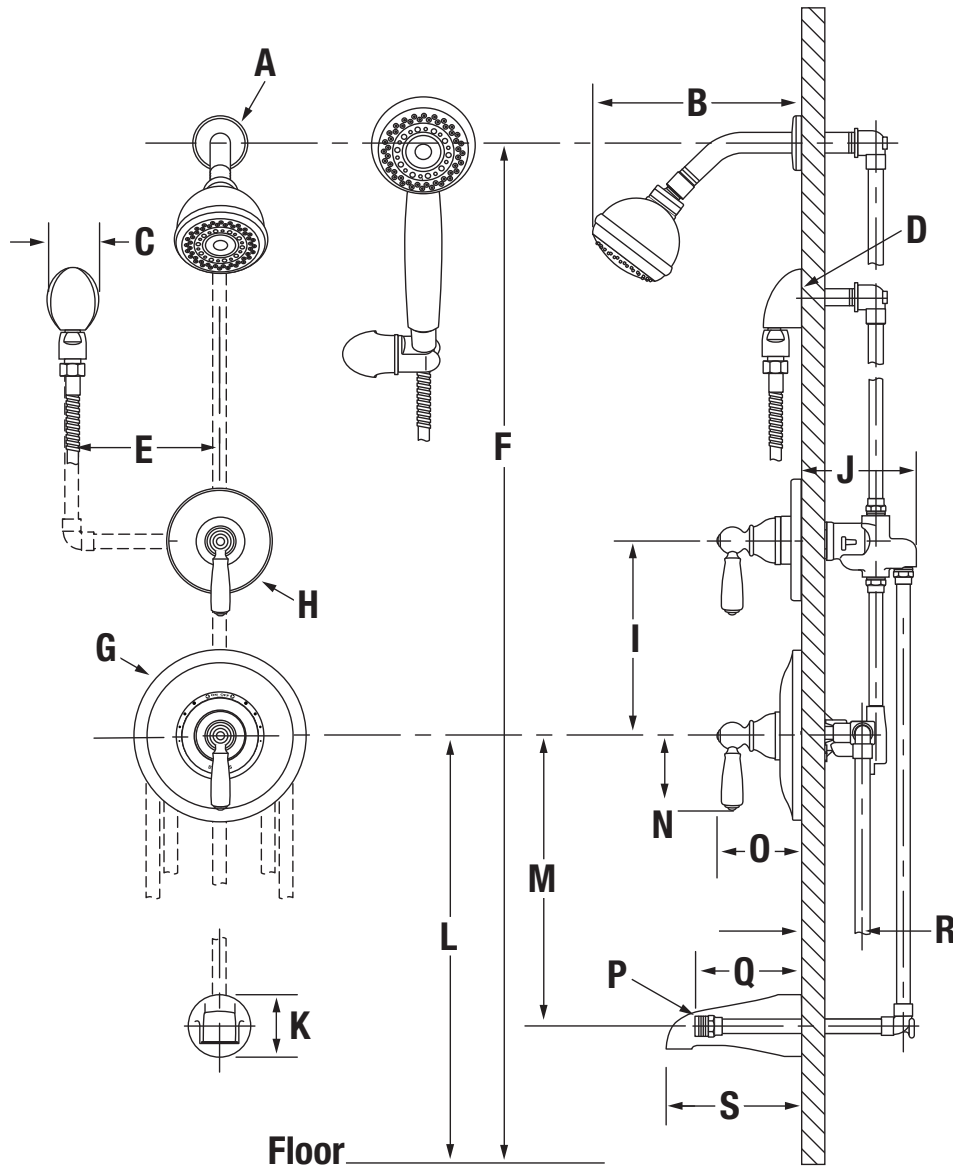
Operation & Maintenance Manual



Model Numbers	Specification
<ul style="list-style-type: none"> <input type="checkbox"/> 4703-TRM <i>Valve Trim with Hand Shower</i> <input type="checkbox"/> 4705-TRM <i>Shower Trim with Hand Shower</i> <input type="checkbox"/> 4706-TRM <i>Tub/Shower Trim with Hand Shower</i> 	<p>Tub/shower trim with hand shower and lever handle includes wall connection, cradle for hand shower mounting, in-line vacuum breaker, flexible metal hose, non-diverter tub spout, 3 mode hand shower and 3 mode showerhead with standard 2.5 gpm (9.5 L/min) flow restrictor. Shower trim with hand shower and lever handle includes all of the above less non-diverter tub spout. Valve trim with hand shower and lever handle includes all of the above less non-diverter tub spout and 3 mode showerhead. Components made from metal and nonmetallic materials plated in standard polished chrome finish.</p> <div style="text-align: right;">  </div>
Options/Modifications	Compliance
<ul style="list-style-type: none"> <input type="checkbox"/> CG -1.5 <i>1.5 gpm (5.7 L/min) flow restrictor</i> <input type="checkbox"/> -2.0 <i>2.0 gpm (7.6 L/min) flow restrictor</i> <input type="checkbox"/> -H323-V <i>30" slide bar in place of wall cradle on hand shower units</i> <input type="checkbox"/> -LAM <i>Metal finish insert handle</i> <input type="checkbox"/> -LR <i>Lever handle</i> <input type="checkbox"/> -SS <i>Slip spout on any tub and shower unit</i> <input type="checkbox"/> -STN <i>Satin Nickel finish</i> 	<p>-ASME A112.18.1; CSA B125.1</p> <div style="text-align: right;">  </div> <hr/> <p>Warranty</p> <p>Limited Lifetime - to the original end purchaser in consumer/residential installations. 5 Years - for industrial/commercial installations.</p> <p>Refer to www.symmons.com/warranty for complete warranty information.</p>

Note: Append appropriate -suffix to model number.

Dimensions

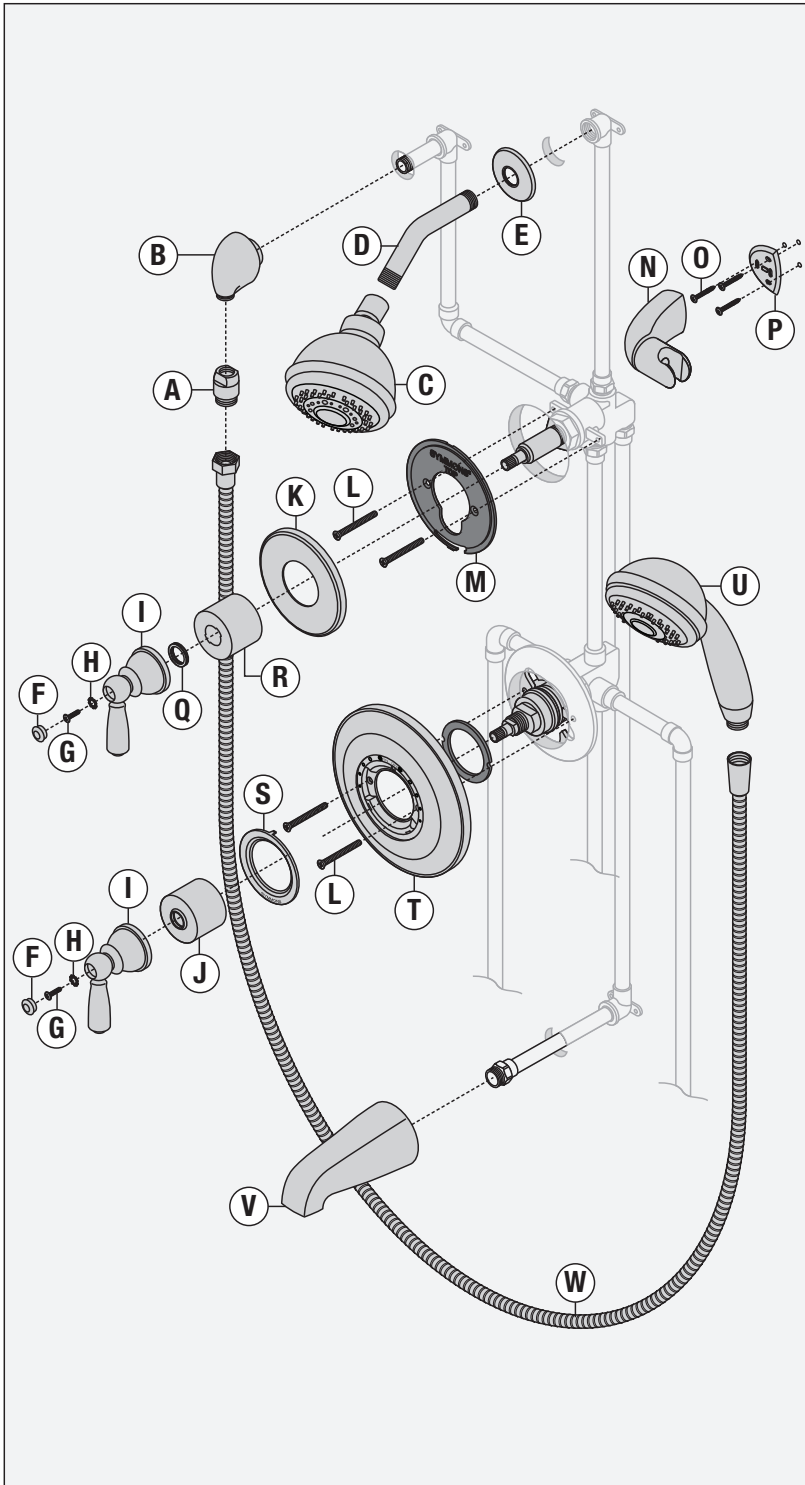


Measurements	
A	Ø 2 1/2", 64 mm
B	6 3/4", 172 mm
C	2 1/8", 54 mm
D	Male 1/2" NPT thread must be recessed 1/4" from finished wall
E	6", 152 mm right or left
F	Ref. 77", 1956 mm
G	Ø 7", 178 mm
H	Ø 5", 127 mm
I	10", 254 mm
J	4 3/4", 121 mm
K	2 1/2", 64 mm
L	Ref. 32", 813 mm (4706-TRM) Ref. 42", 1067 mm (4703-TRM, 4705-TRM)
M	12", 305 mm
N	3 1/8", 79 mm
O	4 1/8", 105 mm
P	1/2" NPT
Q	4", 102 mm
R	Rough-in 2 3/8" ± 1/2", 60 mm ± 13 mm
S	5 1/2", 140 mm

Notes:

- 1) All dimensions measured from nominal rough-in (see R as reference).
- 2) Dimensions subject to change without notice.

Parts Breakdown



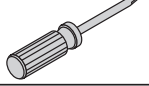

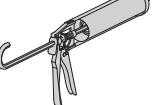


Replacement Parts		
Item	Description	Part Number
A	In-line Vacuum Breaker	EF-109
B	Wall Elbow	EF-105
C	Showerhead	4-143
D	Shower Arm (flange included)	300S
E	Flange	430SS
F	Plug Button	RTS-026
G	Handle Screw	
H	Star Washer	
I	Handle	
J	Dome Cover	T-19
K*	Diverter Escutcheon	T-416A
L	Mounting Screws	
M	Mounting Plate	
N	Wall Cradle	EF-106
O	Cradle Hardware	
P	Cradle Mount	
Q	Diverter Dome Cover	T-19/20-PL
R	Lock Nut	
S	Dial	T-133C
L	Mounting Screws	
T*	Shower Escutcheon	
U	Hand Shower	HS-143
V	Tub Spout	060
W	5" Hose with Vacuum Breaker	EF-104

Notes:

- 1) Append -STN to part number for Satin Nickel finish.
- 2) Append -1.5 or -2.0 to showerhead or hand shower for low flow.

Tools Required for Installation

Adjustable wrench	
Allen wrench (3/16")	
Phillips head screwdriver	
Plumber tape	
Silicone	

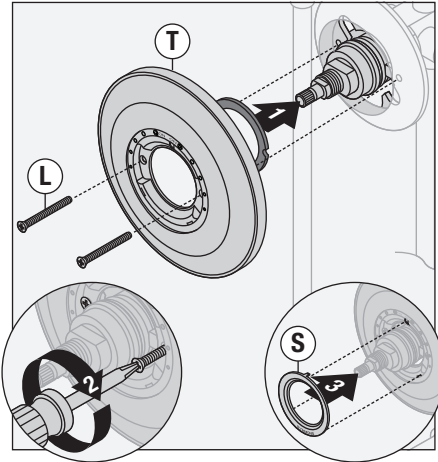
***Note:** Apply a bead of silicone around the perimeter of the escutcheons after installing trim flush with wall. Leave opening on bottom of escutcheon for weep hole.

Installation

Note:

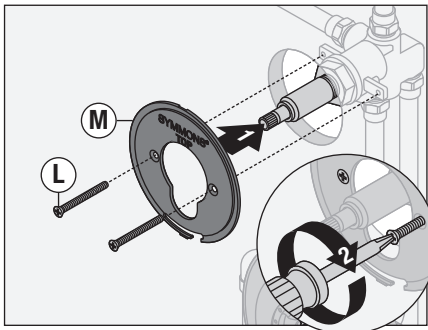
For valve body installation, please see valve body manuals.

- 1) Install shower escutcheon (T) to shower valve (4000-BODY). Secure with two screws (L). Snap dial (S) into shower escutcheon.

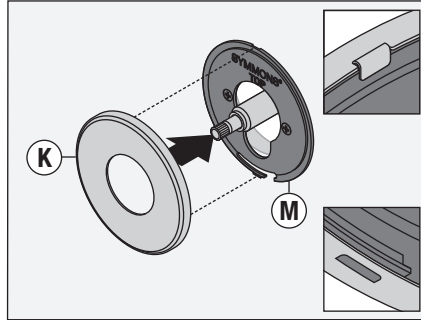


Note: Logo on dial should be in the 6 o'clock position.

- 2) Attach mounting plate (M) to diverter valve (4705-TRM and 4706-TRM only). Secure with two screws (L).

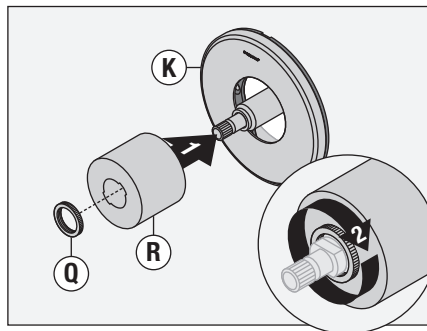


- 3) Attach diverter escutcheon (K) to plastic mounting plate (M).

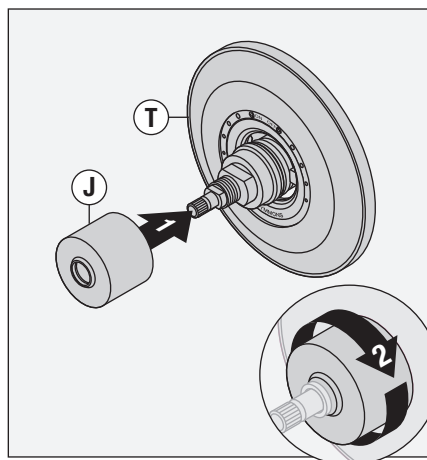


Note: Tabs should snap into place.

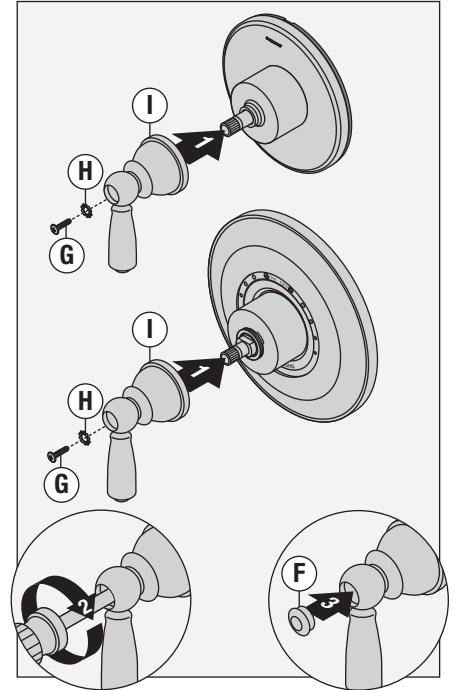
- 4) Install diverter dome cover (R) to diverter valve and secure with lock nut (Q).



- 5) Install shower dome cover (J) to shower valve by turning clockwise

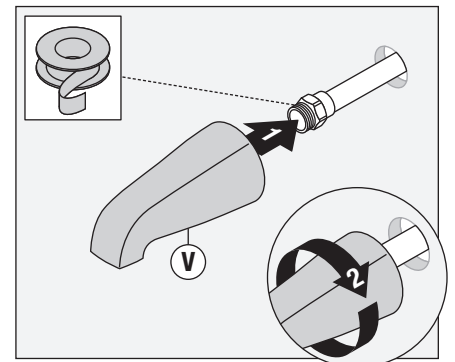


- 6) Install diverter handle (4705-TRM and 4706-TRM only) and shower handle (I) to valves. Secure handle(s) with star washer (H) and screw (G). Attach plug button (F) to handle(s).



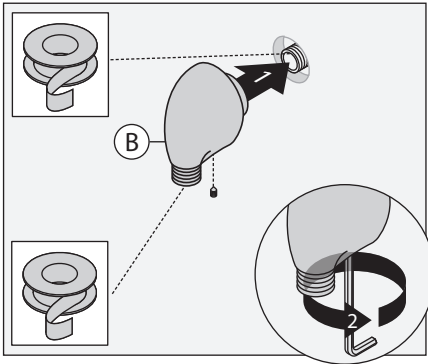
Notes: Handles should be facing the 6 o'clock position.

- 7) Install tub spout (V) to pipe fitting. Turn clockwise to secure.

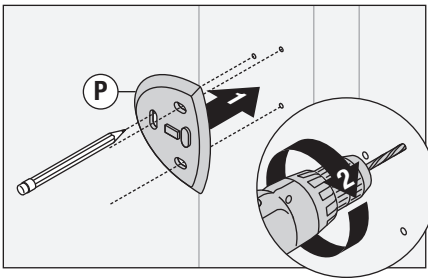


Installation

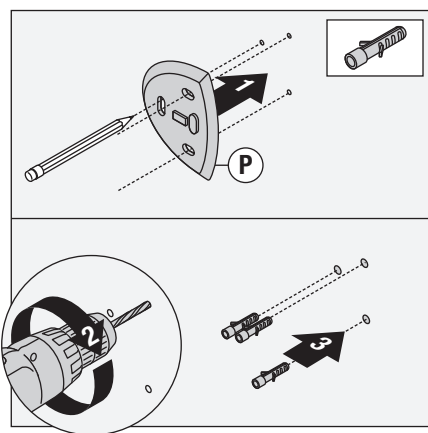
- 8) Install wall elbow (B) to pipe fitting. Tighten set screw to secure.



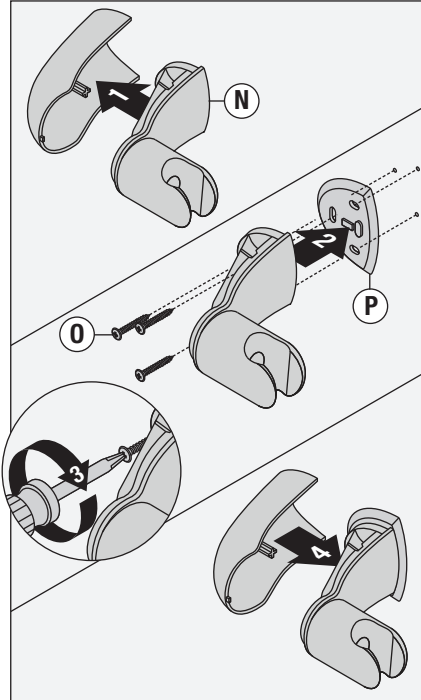
- 9) Place cradle mount (P) in position, mark and drill 1/8" pilot holes into stud.



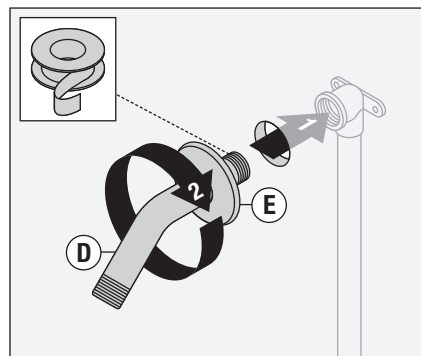
Option: Place cradle mount (P) in position, mark and drill 3/16" holes into wall. Install anchors.



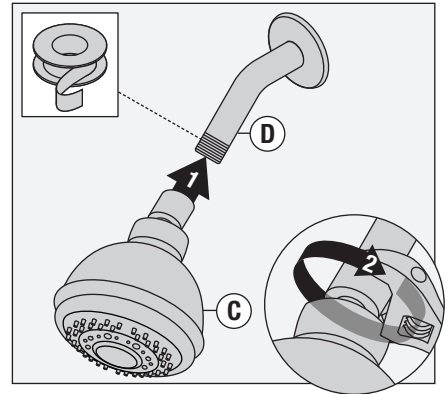
- 10) Remove cover of wall cradle (N). Install cradle mount (P). Secure with three screws (O). Replace cover on hand shower cradle.



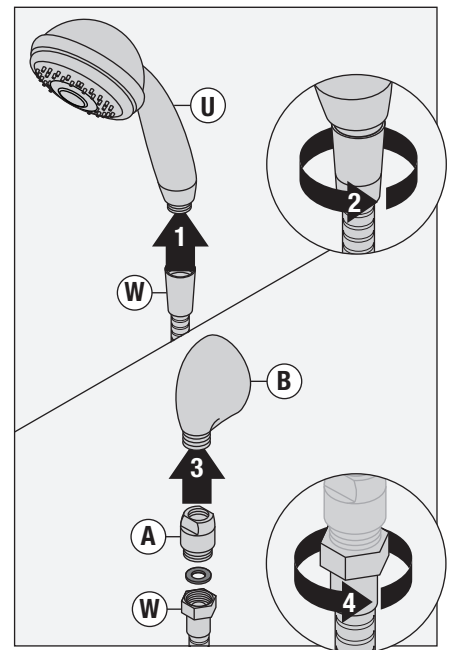
- 11) Attach shower arm (D) and flange (E) to vertical shower pipe turning clockwise to tighten.



- 12) Install showerhead (C) to shower arm (D) turning clockwise to tighten.



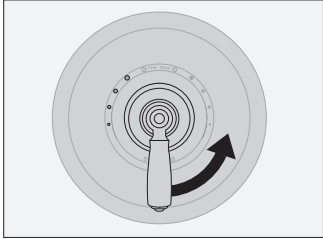
- 13) Attach large end of hand shower hose (W) to hand shower (U). Connect in-line vacuum breaker to wall elbow (B). Turn clockwise to tighten.



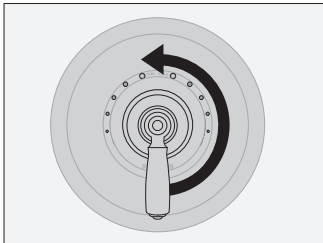
Operation & Maintenance

Temperature Control

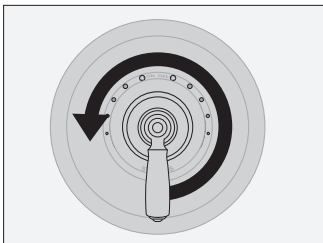
- 1) Turn shower handle counterclockwise approximately 1/4 turn to put valve in cold position.



- 2) Turn shower handle counterclockwise approximately 1/2 turn to put valve in warm position.

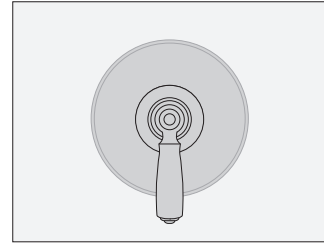


- 3) Turn shower handle counterclockwise approximately 3/4 turn to put valve in hot position.



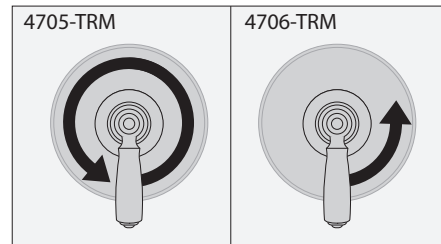
Diverter Control

- 1) Diverter handle facing straight down is for diverter function 1.

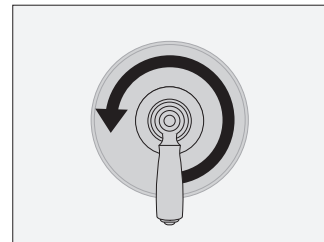


- 2) **4705-TRM:** Turn diverter handle counterclockwise one full revolution for diverter function 2.

4706-TRM: Turn diverter handle counterclockwise 1/4 turn for diverter function 2.



- 3) **4706-TRM:** Turn diverter handle counterclockwise 3/4 turn for diverter function 3.



Troubleshooting Chart

Finish is spotting.	Elements in water supply may cause water staining on finish.	Clean finished trim area with a soft cloth using mild soap and water or a non-abrasive cleaner and then quickly rinse with water.
---------------------	--	---