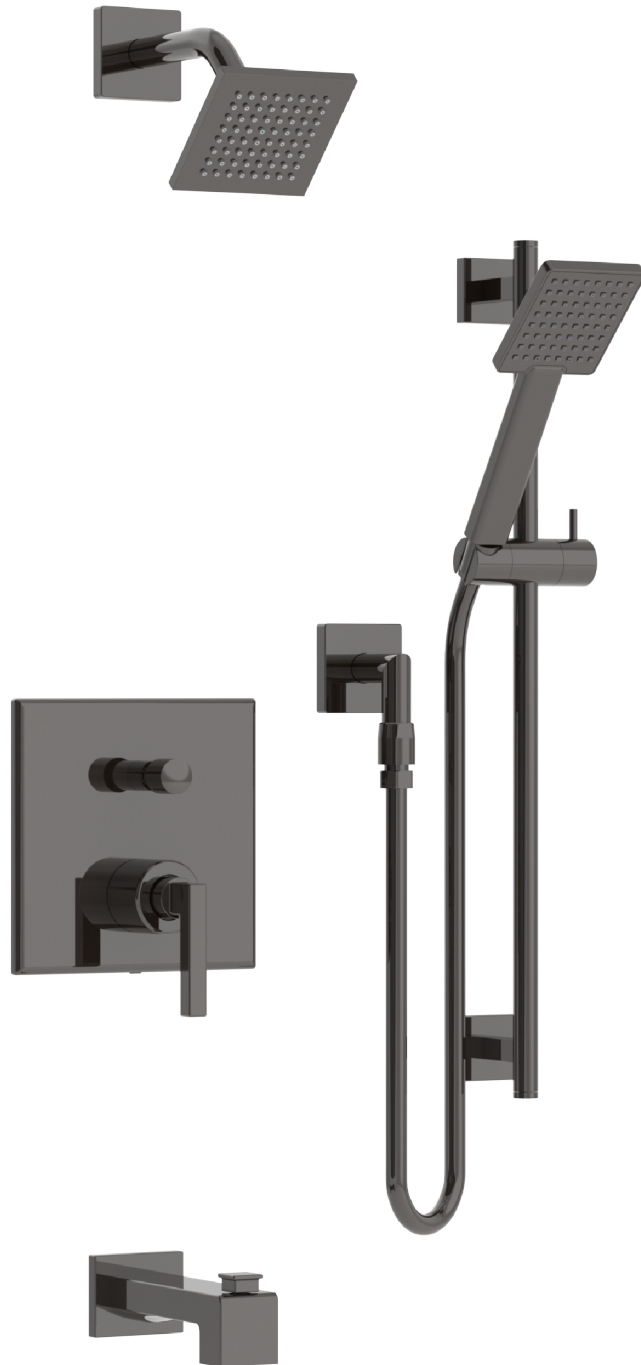


# Denny 1560 Lincoln Mixed Use Santa Monica, CA

Tub/Shower/Handheld

VERSION

**B**



- Design & Dimensions subject to change
- Consult your Symmons Sales Representative for Timeline

REQUIRES:  
6010E-BODY

THIS DOCUMENT CONTAINS PROPRIETARY INFORMATION OF SYMMONS INDUSTRIES, INC. AND NEITHER THIS DOCUMENT OR ANY OF SAID PROPRIETARY INFORMATION SHALL BE PUBLISHED, REPRODUCED, COPIED, DISCLOSED OR USED FOR ANY PURPOSE WITHOUT THE EXPRESS WRITTEN PERMISSION OF A DULY AUTHORIZED REPRESENTATIVE OF SYMMONS INDUSTRIES, INC.\*

PRODUCT NAME:  
Tub/Shower/Handheld

ADDITIONAL NOTE:

DATE: 1-29-2018  
SYMMONS MODEL#: CD1295-3606-BLK-TRM

VERSION:  
B

FINISH:  
Polished Graphite

Approved by:

Approval Date:

Approval Signature:

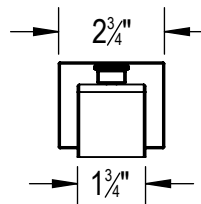
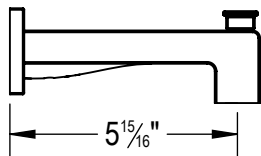
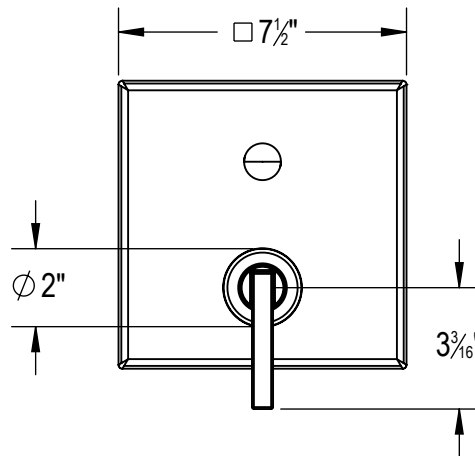
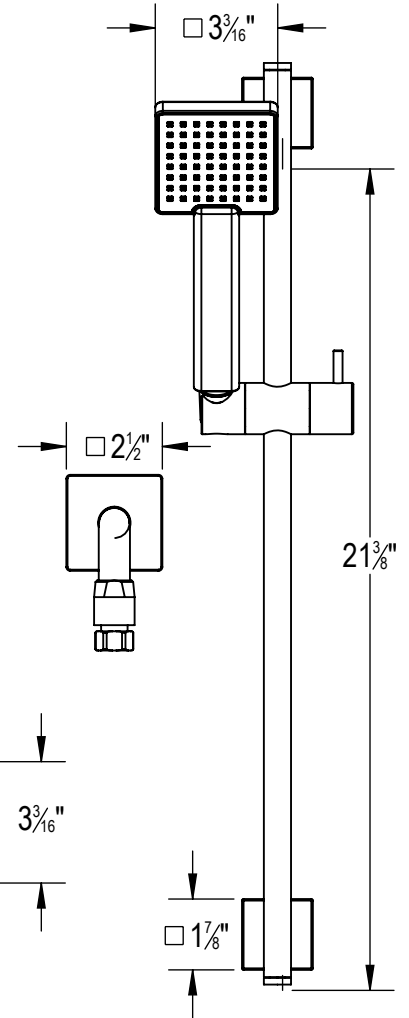
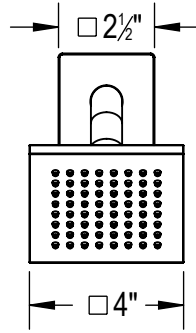
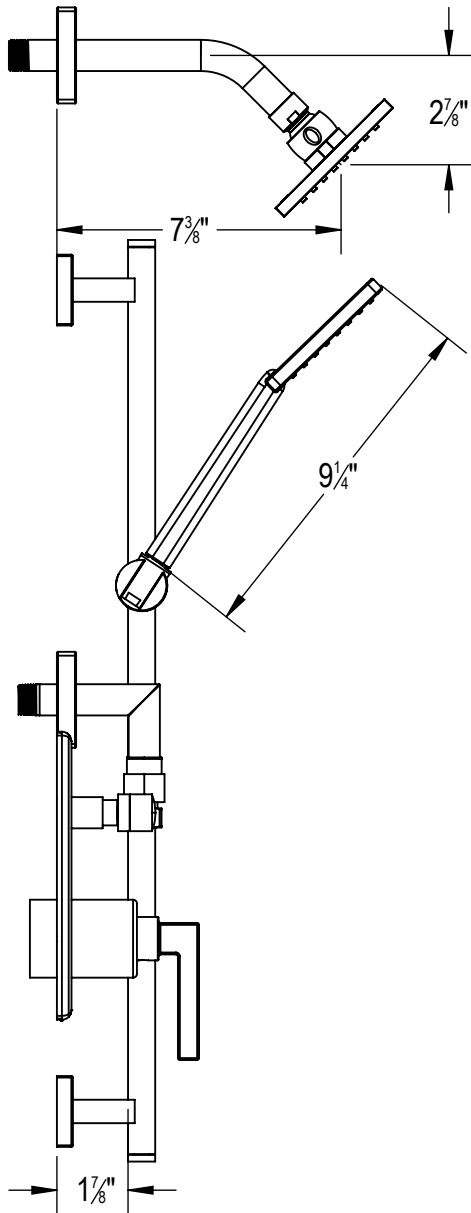
  
 SYMMONS INDUSTRIES  
 31 BROOKS DRIVE BRAintree, MA 02184  
 1-800-SYMMONS www.symmons.com

# Denny 1560 Lincoln Mixed Use Santa Monica, CA

Tub/Shower/Handheld

VERSION

**B**



- Design & Dimensions subject to change
- Consult your Symmons Sales Representative for Timeline

REQUIRES:  
6010E-BODY

THIS DOCUMENT CONTAINS PROPRIETARY INFORMATION OF SYMMONS INDUSTRIES, INC. AND NEITHER THIS DOCUMENT OR ANY OF SAID PROPRIETARY INFORMATION SHALL BE PUBLISHED, REPRODUCED, COPIED, DISCLOSED OR USED FOR ANY PURPOSE WITHOUT THE EXPRESS WRITTEN PERMISSION OF A DULY AUTHORIZED REPRESENTATIVE OF SYMMONS INDUSTRIES, INC.™

PRODUCT NAME:  
Tub/Shower/Handheld

ADDITIONAL NOTE:

DATE  
1-29-2018

SYMMONS MODEL#  
CD1295-3606-BLK-TRM

VERSION:  
B

FINISH:  
Polished Graphite

Approved by:

Approval Date:

Approval Signature:

  
**SYMMONS<sup>®</sup>**  
 SYMMONS INDUSTRIES  
 31 BROOKS DRIVE BRAintree, MA 02184  
 1-800-SYMMONS www.symmons.com