
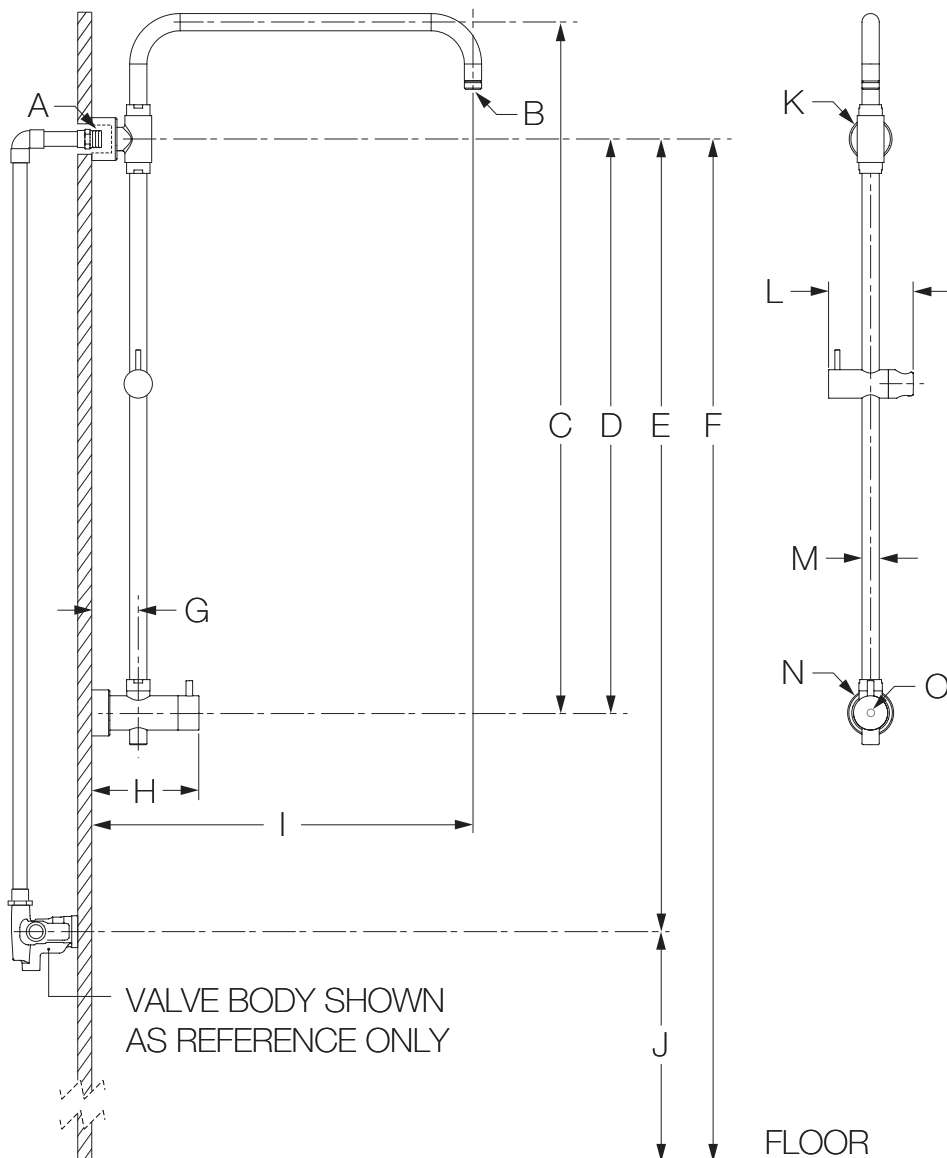




**35EX**  
**Exposed Shower System**  
**Specification Submittal**

Specification	Modifications
<ul style="list-style-type: none"> <li>Exposed shower pipe</li> <li>Metal lever handle</li> <li>Adjustable stop screw to limit handle turn</li> <li>Separate diverter included for toggling between showerhead and hand shower position</li> <li>Includes column/slide bar and hand shower bracket</li> <li>60" flexible metal hose with check for backflow protection (requires hand shower with check or in-line vacuum breaker)</li> <li>Showerhead and hand shower not included</li> <li>Components shall be metal and nonmetallic construction, plated in standard polished chrome finish</li> <li>For optional in-line vacuum breaker order p/n EF-109</li> </ul>	<input type="checkbox"/> <b>CG</b> -1.5 1.5 gpm (5.7 L/min) flow restrictor <input type="checkbox"/> -2.0 2.0 gpm (7.6 L/min) flow restrictor <p><b>Note:</b> Append appropriate -suffix to model number.</p>
<p><b>Model Numbers</b></p> <input type="checkbox"/> <b>35EX</b> <i>Dia exposed shower system</i>	<p><b>Showerhead Options</b></p> <input type="checkbox"/> - 352SH Dia® 3" diameter, 1 mode showerhead <input type="checkbox"/> - 352SH-3 Dia® 3" diameter, 3 mode showerhead <input type="checkbox"/> -361SH Duro® 4" square, 1 mode showerhead <input type="checkbox"/> - 361SH-6 Duro® 6" square, 1 mode showerhead <input type="checkbox"/> -362SH Duro® 3" diameter, 1 mode showerhead <input type="checkbox"/> - 4-161 Symmons® 9" diameter rain showerhead <input type="checkbox"/> - 4-166 Winslet® 6" diameter rain showerhead <input type="checkbox"/> - 402SH1 Symmons® 12" diameter rain showerhead <input type="checkbox"/> - 422SH Oxford® 6-1/2" square, 1 mode showerhead <input type="checkbox"/> - 432SH Sereno® 8" diameter, 1 mode showerhead <input type="checkbox"/> - 511SH Degas® 5-3/4" diameter, 1 mode showerhead <input type="checkbox"/> - 532SH Museo® 5-3/4" diameter, 1 mode showerhead <p><b>Note:</b> Append appropriate -suffix to model number.</p>
<p><b>Finish Options</b></p> <input type="checkbox"/> <b>-STN</b> <i>Satin Nickel finish</i>	<p><b>Hand Shower Options</b></p> <input type="checkbox"/> -412W Naru® 3-5/8" diameter, 3 mode hand shower <input type="checkbox"/> -422W Oxford® 4" square, 1 mode hand shower <input type="checkbox"/> - 442W Carrington® 3-1/4" diameter, 3 mode hand shower <input type="checkbox"/> - 462W Degas® 3" diameter, 1 mode hand shower <input type="checkbox"/> - 552W Elm® 3-1/4" diameter, 3 mode hand shower <input type="checkbox"/> - EF-100 Dia® 2-3/4" diameter, 1 mode hand shower <input type="checkbox"/> - EF-101 Allura® 3-3/4" diameter, 3 mode hand shower <input type="checkbox"/> - EF-118 Symmons® 3-3/4" diameter, 1 mode hand shower <input type="checkbox"/> - EF-119 Symmons® 3-3/4" diameter, 3 mode hand shower <input type="checkbox"/> - SC-127 Symmons® 3" diameter, 5 mode hand shower <p><b>Note:</b> Append appropriate -suffix to model number.</p>
<p><b>Compliance</b></p> <p>-ASME A112.18.1/CSA B125.1</p> 	
<p><b>Warranty</b></p> <p><b>Limited Lifetime</b> - to the original end purchaser in consumer/residential installations.  <b>5 Years</b> - for industrial/commercial installations.  Refer to <a href="http://www.symmons.com/warranty">www.symmons.com/warranty</a> for complete warranty information.</p>	

## Dimensions



### Important Notes:

- 1) If the distance for item E is less than 29" (737 mm), Exposed Shower Riser is not appropriate for your application.
- 2) Hand shower wands that exceed 0.8 lbs. are not recommended for Exposed Shower Riser.

### Measurements

A	Male 1/2" NPT thread must protrude 1/2" (13 mm) from finished wall
B	1/2"-14 NPT
C	27-1/2", 699 mm
D	22", 559 mm
E	<b>For Shower Systems:</b> Min. 29", 737 mm from centerline of shower output to valve <b>For Tub/Shower Systems:</b> Min. 29", 737 mm from centerline of shower output to valve
F	Ref. 77", 1956 mm
G	2-3/16", 55 mm
H	5-1/16", 128 mm
I	17-15/16", 456 mm
J	<b>For Shower Systems:</b> Min. 42", 1067 mm Max. 48", 1219 mm <b>For Tub/Shower Systems:</b> Ref. 32", 813 mm
K	Ø 2", 51 mm
L	4", 102 mm
M	Ø 13/16", 21 mm
N	Ø 2-3/16", 56 mm
O	Hole Size Ø 5/16", 8 mm

**Note:** Dimensions subject to change without notice.