
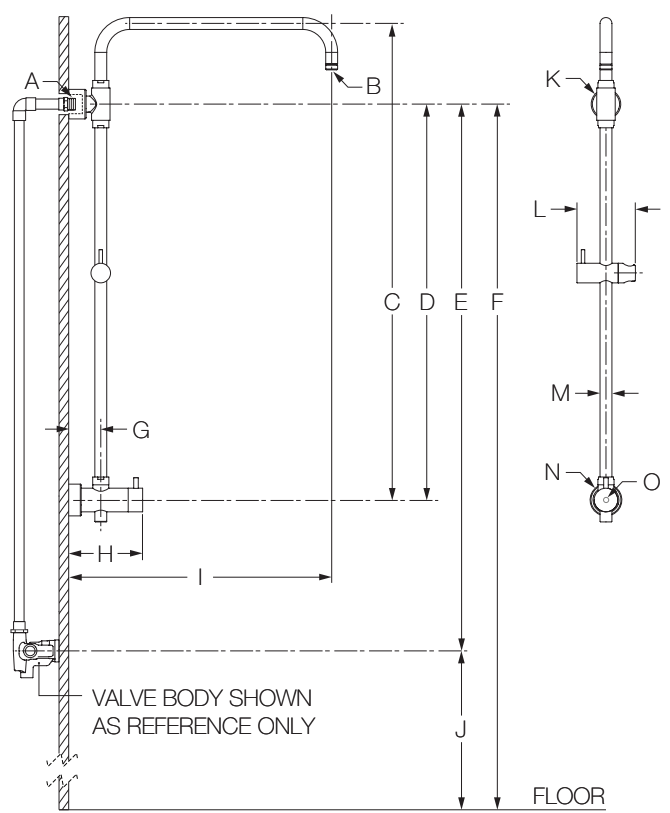




35EX
Exposed Shower Riser
Operation & Maintenance Manual

Model Numbers	Specification
<input type="checkbox"/> 35EX <i>Exposed Shower Riser</i>	<p>Exposed Shower Riser includes lever handles, adjustable slide mechanism and diverter for toggling between fixtures, exposed shower column/slide bar, 60" flexible metal hose with single check valve and hand shower bracket. Components made from metal and nonmetallic materials plated in standard polished chrome finish.</p>
Modifications	
<input type="checkbox"/> -STN <i>Satin Nickel finish</i> Note: Append appropriate -suffix to model number.	
Compliance	Warranty
<p>-ASME A112.18.1/CSA B125.1</p> 	<p>Limited Lifetime - to the original end purchaser in consumer/residential installations. 5 Years - for industrial/commercial installations. Refer to www.symmons.com/warranty for complete warranty information.</p>

Dimensions

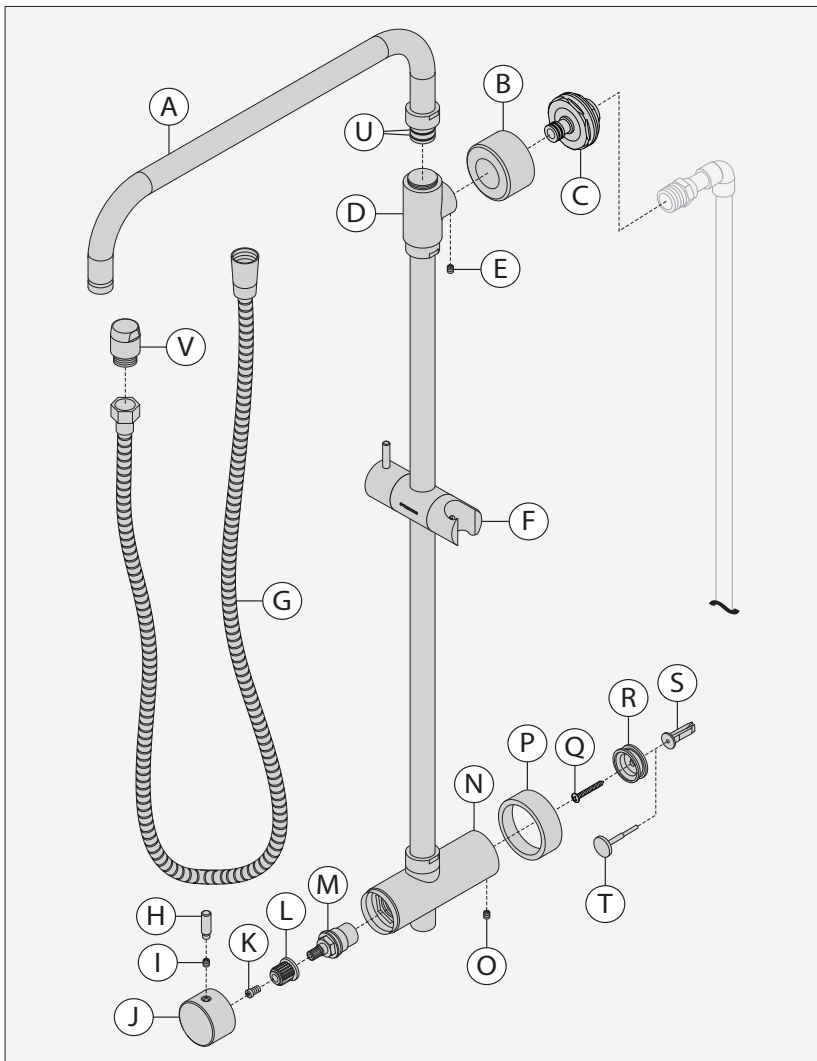


Important:
 If the distance for item E is less than 29" (737 mm), Exposed Shower Riser is not appropriate for your application.

Measurements	
A	Male 1/2" NPT thread must protrude 1/2" (13 mm) from finished wall
B	1/2"-14 NPT
C	27-1/2", 699 mm
D	22", 559 mm
E	For Shower Systems: Min. 29", 737 mm from centerline of shower output to valve For Tub/Shower Systems: Min. 29", 737 mm from centerline of shower output to valve
F	Ref. 77", 1956 mm
G	2-3/16", 55 mm
H	5-1/16", 128 mm
I	17-15/16", 456 mm
J	For Shower Systems: Min. 42", 1067 mm Max. 48", 1219 mm For Tub/Shower Systems: Ref. 32", 813 mm
K	Ø 2", 51 mm
L	4", 102 mm
M	Ø 13/16", 21 mm
N	Ø 2-3/16", 56 mm
O	Hole Size Ø 5/16", 8 mm

Notes: Dimensions subject to change without notice.

Parts Breakdown



Important Notes:




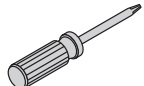

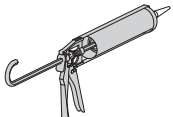

- 1) Apply a bead of silicone around the perimeter of all shower trim installed flush to the finished wall (less mounting plates and brackets). Leave opening on bottom of escutcheons for weep hole.
- 2) Apply plumber tape to all threaded connections.
- 3) 60" flexible metal hose with single check valve (G) **must be** used with a single check valve hand shower wand.
- 4) Hand shower wands that exceed 0.8 lbs. are not recommended for Exposed Shower Riser.

Replacement Parts

Item	Description	Part Number
F	Slide Mechanism	RTS-043*
G	60" Hose	RTS-045*
H	Lever Handle	RTS-041*
I	Set Screw	
J	Handle Hub	
K	Cartridge Screw	RTS-042
L	Broach	
M	Diverter Cartridge	
Q	Mounting Screw	RA-017
S	Toggle Anchor	
T	Anchor Tool	
V	In-line Vacuum Breaker	EF-109

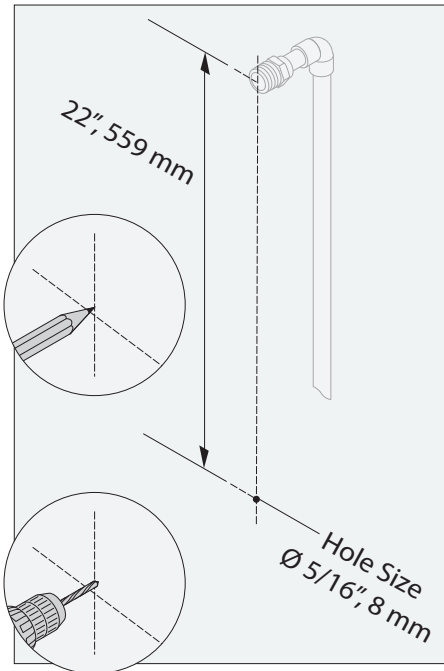
Note: Append -STN to part number for Satin Nickel finish.

Tools Required for Installation

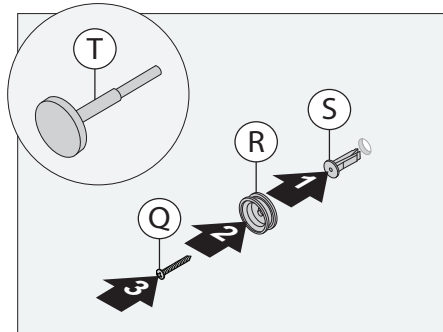
Adjustable Wrench	
Allen Wrench: Handle (3 mm) Riser Flanges (2.5 mm)	
Drill: 5/16" Bit	
Phillips Head Screwdriver	
Plumber Tape	
Silicone	
Soft Jaw Pliers	

Installation

- 1) Measure and mark hole spacing according to dimensions provided on page 1. Drill 5/16" (8 mm) hole in wall for mounting hardware.

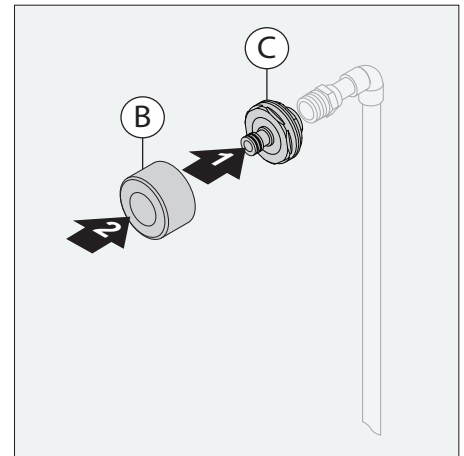


- 2) Insert toggle anchor (S) into 5/16" hole. Locate mounting ring (R) over toggle anchor (S) and secure to wall with mounting screw (Q).



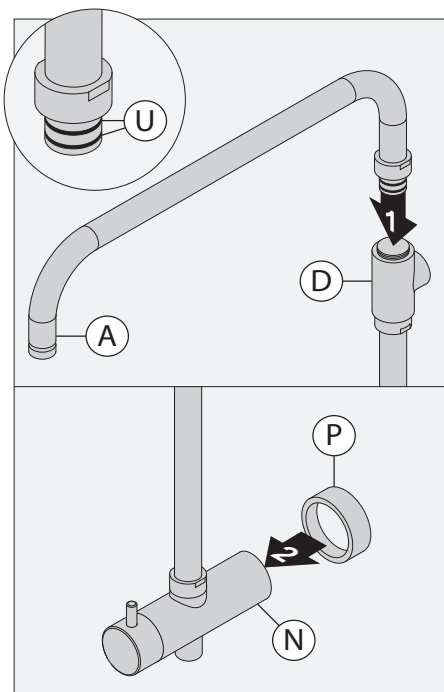
Note: For dry wall 1/2" thick or less, insert anchor tool (T) into toggle anchor (S) to secure behind wall prior to installing trim.

- 3) Install water connector (C) to pipe fitting. Slide flange cover (B) onto water connector so it sits flush with finished wall.

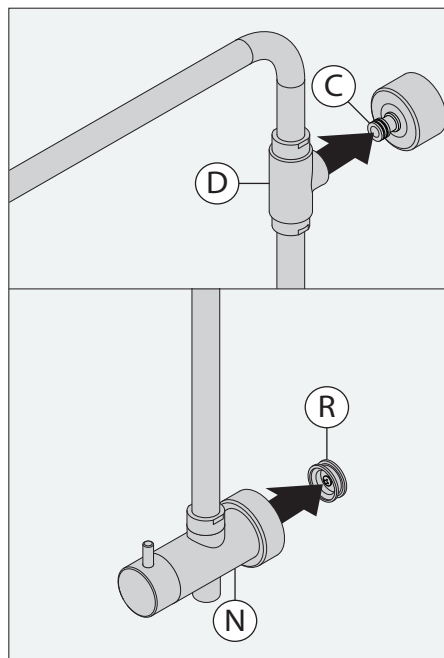


Note: Apply plumber tape to water connector (C).

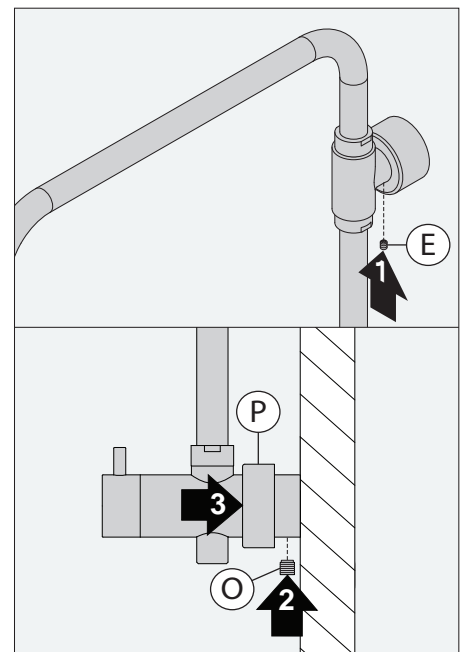
- 4) Install shower arm (A) to shower riser body (D). Use **caution** not to remove o-rings (U) from gooves. Slide flange cover (P) over diverter body (N).



- 5) Install shower riser body (D) to water connector (C) and diverter body (N) to mounting ring (R).

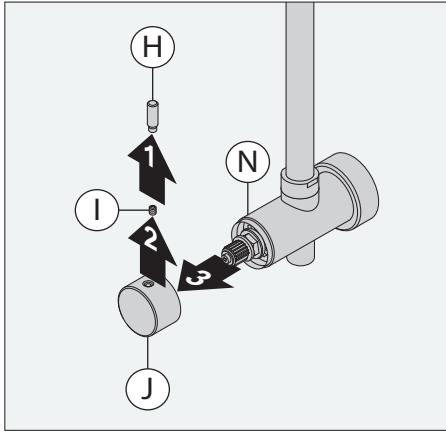


- 6) Secure shower riser assembly to finished wall by tightening set screws (E & O). Slide flange cover (P) so it sits flush with finished wall.

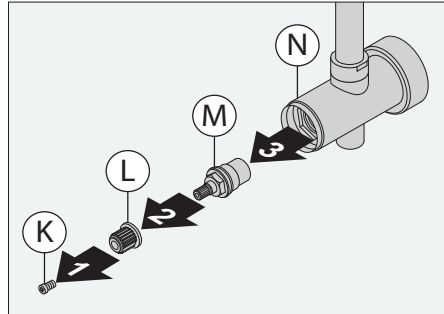


Maintenance (cartridge replacement)

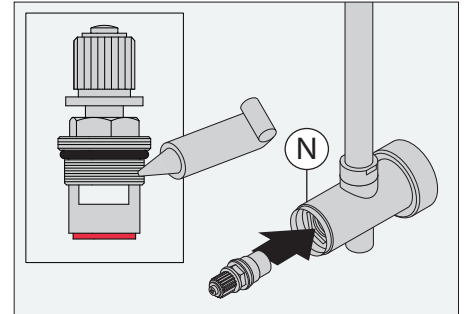
1) Using soft jaw pliers, remove lever handle (H). Remove handle set screw (I) and handle hub (J) from diverter body (N).



2) Remove cartridge screw (K) and broach (L) from cartridge (M). Remove cartridge (M) from diverter body (N).

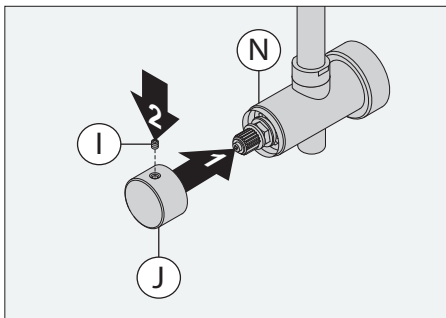


3) Apply removable thread lock to the threading of replacement cartridge. Install replacement cartridge into diverter body (N) at 50 in•lb.

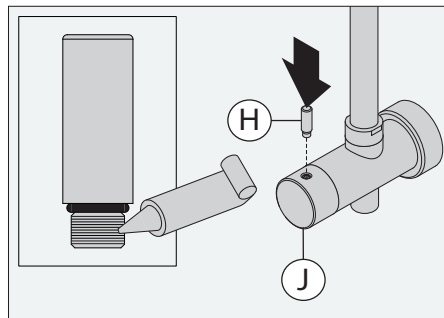


Installation Tip: Back off cartridge slightly to ensure proper handle alignment if necessary.

4) Install handle hub (J) to replacement cartridge. Secure handle hub to cartridge with handle set screw (I).



5) Apply removable thread lock to the threading of the lever handle (H). Using soft jaw pliers, install lever handle to handle hub (J).



Troubleshooting Chart

Problem	Cause	Solution
Exposed Shower Riser will not divert between showerhead and hand shower as intended.	Cartridge o-rings worn or foreign matter (chips, dirt, solder, etc.) is lodged in the seating surfaces of the cartridge.	Remove cartridge (M) and replace with new cartridge.
Hand shower cradle on slide mechanism (F) will not hold hand shower wand upright.	Hand Shower wands that exceed 0.8 lbs. are not recommended for Exposed Shower Riser.	Remove hand shower wand and replace with hand shower wand that does not exceed specified weight.
Finish is spotting.	Elements in water supply may cause water staining on finish.	Clean finished trim area with a soft cloth using mild soap and water or a non-abrasive cleaner and then quickly rinse with water.