


Aparium Hotel (Renovation) DES MOINES IA

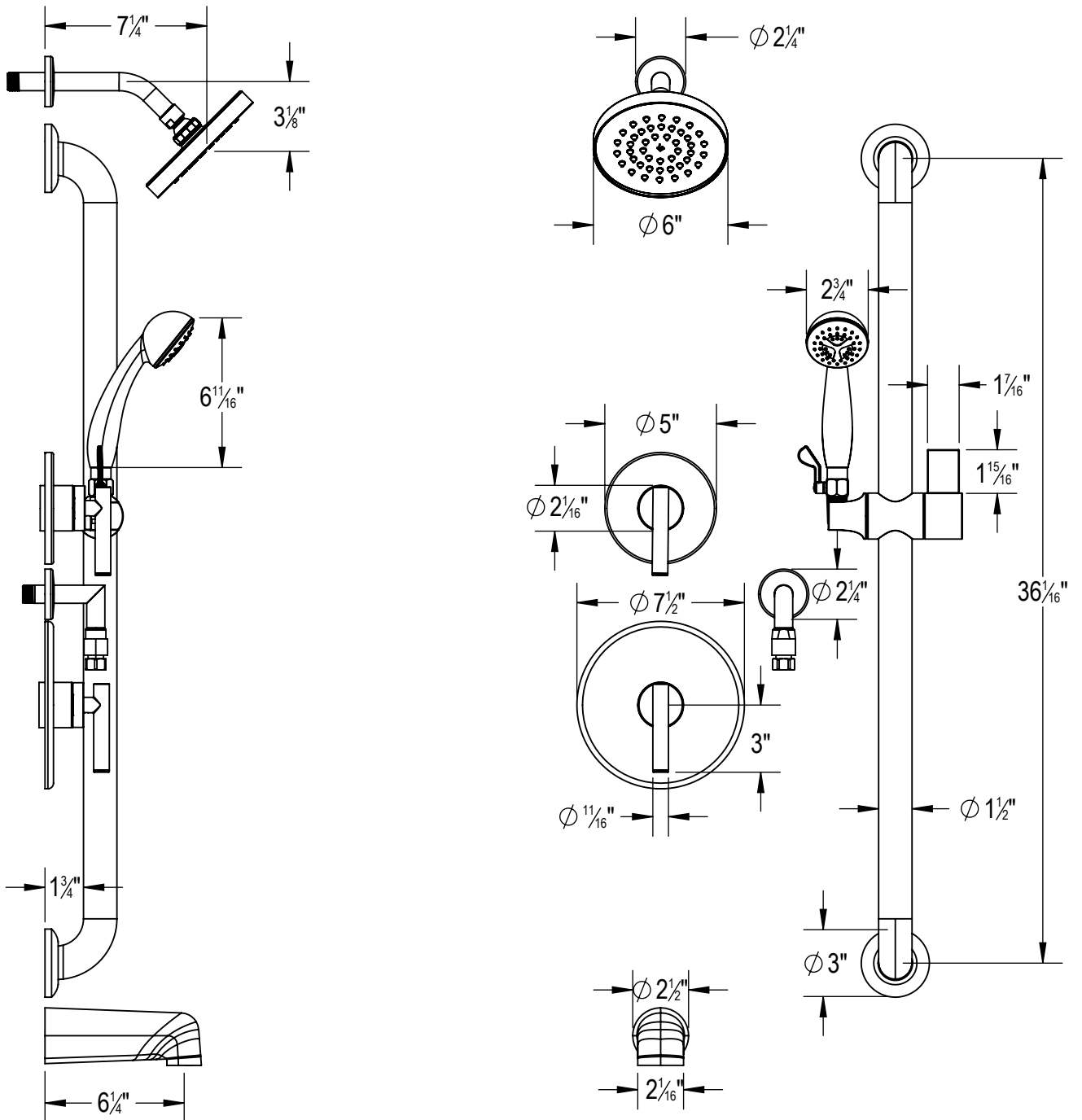
Tub/Shower/Handheld

VERSION

A



<ul style="list-style-type: none"> • Design & Dimensions subject to change • Consult your Symmons Sales Representative for Timeline 		REQUIRES: 46-2X-BODY, 3DIV-BODY		<small>THIS DOCUMENT CONTAINS PROPRIETARY INFORMATION OF SYMMONS INDUSTRIES, INC. AND NEITHER THIS DOCUMENT OR ANY OF SAID PROPRIETARY INFORMATION SHALL BE PUBLISHED, REPRODUCED, COPIED, DISCLOSED OR USED FOR ANY PURPOSE WITHOUT THE EXPRESS WRITTEN PERMISSION OF A DULY AUTHORIZED REPRESENTATIVE OF SYMMONS INDUSTRIES, INC.*</small>  SYMMONS INDUSTRIES 31 BROOKS DRIVE BRAintree, MA 02184 1-800-SYMMONS www.symmons.com
PRODUCT NAME: Tub/Shower/Handheld		ADDITIONAL NOTE:		
DATE 1-30-2018	SYMMONS MODEL# CD1291-3506-ADA-MB-TRM	VERSION: A	FINISH: Matte Black	
Approved by:		Approval Date:	Approval Signature:	



- Design & Dimensions subject to change
- Consult your Symmons Sales Representative for Timeline

REQUIRES:
 46-2X-BODY, 3DIV-BODY

"THIS DOCUMENT CONTAINS PROPRIETARY INFORMATION OF SYMMONS INDUSTRIES, INC. AND NEITHER THIS DOCUMENT OR ANY OF SAID PROPRIETARY INFORMATION SHALL BE PUBLISHED, REPRODUCED, COPIED, DISCLOSED OR USED FOR ANY PURPOSE WITHOUT THE EXPRESS WRITTEN PERMISSION OF A DULY AUTHORIZED REPRESENTATIVE OF SYMMONS INDUSTRIES, INC."

PRODUCT NAME:
 Tub/Shower/Handheld

ADDITIONAL NOTE:

DATE: 1-30-2018
 SYMMONS MODEL#: CD1291-3506-ADA-MB-TRM

VERSION: A

FINISH: Matte Black

Approved by:

Approval Date:

Approval Signature:

SYMMONS[®]
 SYMMONS INDUSTRIES
 31 BROOKS DRIVE BRAintree, MA 02184
 1-800-SYMMONS www.symmons.com