




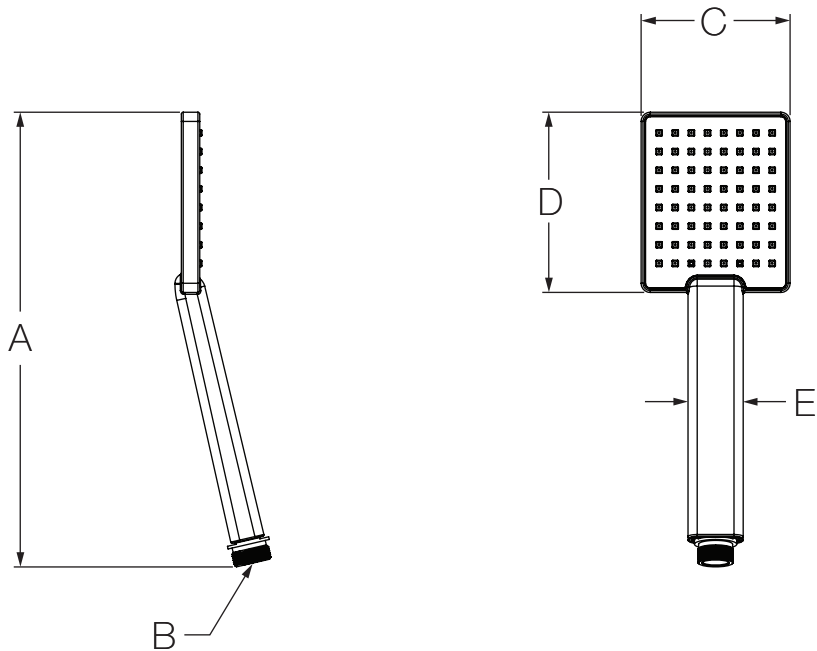
Location:



0195-2W (CD0195-2W)  
 Square Hand Shower  
**Specification Submittal**

<b>Model Numbers</b>	<b>Specification</b>
<input type="checkbox"/> <b>0195-2W</b> <i>Square Hand Shower</i>	Square Hand Shower shall include 2.0 gpm (7.6 L/min) flow restrictor. Square Hand Shower shall be made from plastic construction, plated in standard polished chrome finish.
<b>Modifications</b>	<b>Compliance</b>
<input type="checkbox"/> <b>-1.5</b> 1.5 gpm (5.7 L/min) flow restrictor	-ASME A112.18.1/CSA B125.1 -WaterSense @ 1.5 gpm & 2.0 gpm
<p><b>Note:</b> Append appropriate -suffix to model number.</p>	
	<p><b>Warranty</b></p> <p><b>Limited Lifetime</b> - to the original end purchaser in consumer/residential installations.  <b>5 Years</b> - for industrial/commercial installations.          Refer to <a href="http://www.symmons.com/warranty">www.symmons.com/warranty</a> for complete warranty information.</p>

**Dimensions**



Measurements	
A	9-11/16", 246 mm
B	G 1/2"
C	3-3/16", 81 mm
D	3-7/8", 98 mm
E	1-3/16", 30 mm

**Note:** Dimensions subject to change without notice.