

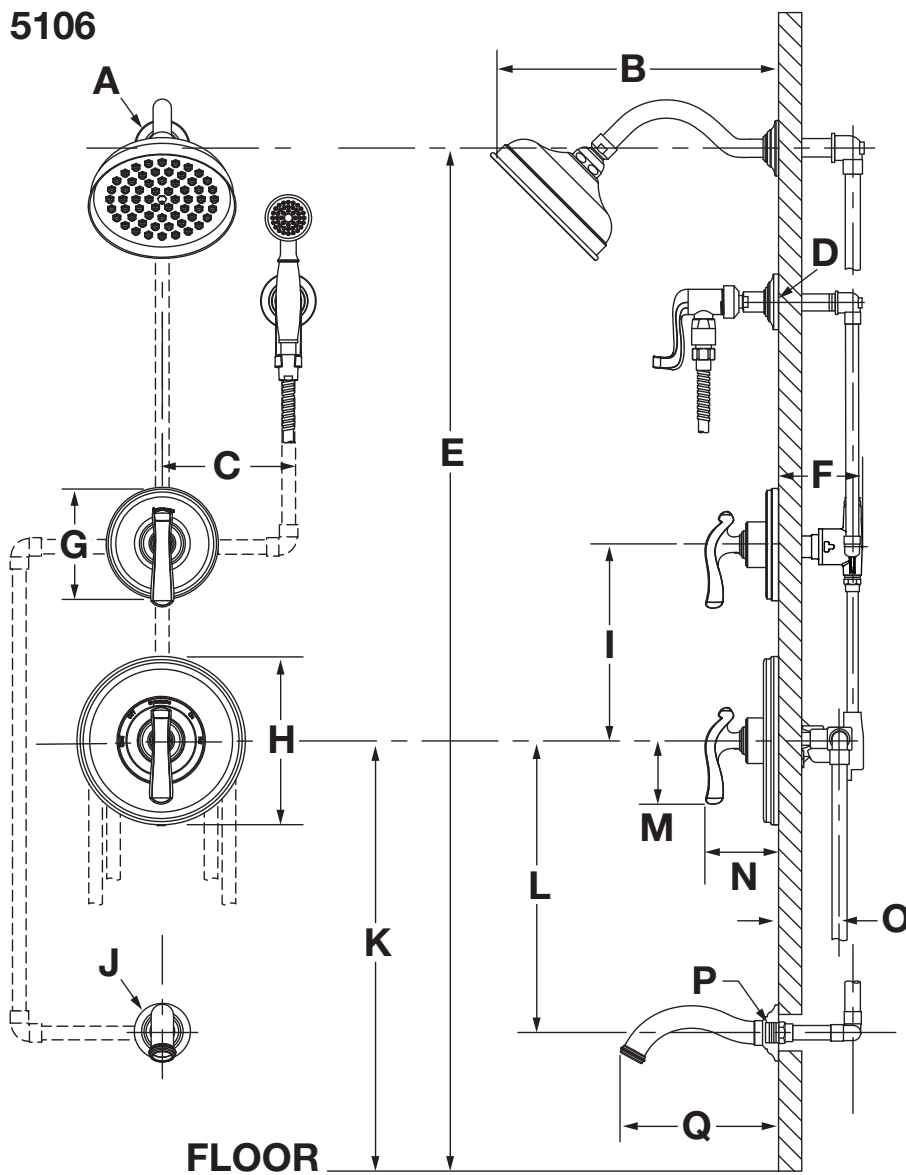




5103, 5105, 5106
Winslet® Series
Operation & Maintenance Manual

Model Numbers	Specification
<ul style="list-style-type: none"> <input type="checkbox"/> 5103 <i>Winslet Hand/Shower System</i> <input type="checkbox"/> 5105 <i>Winslet Shower/Hand Shower System</i> <input type="checkbox"/> 5106 <i>Winslet Tub/Shower/Hand Shower System</i> 	<p>5103 Hand shower system powered by the Temptrol® Pressure Balancing valve. Features adjustable stop screw to limit handle turn, 1 mode hand shower and standard 2.5 gpm (9.5 L/min) flow restrictor.</p> <p>5105 Shower/hand shower system powered by the Temptrol® Pressure Balancing valve. Features adjustable stop screw to limit handle turn, separate two function diverter, 1 mode hand shower, 1 mode showerhead and standard 2.5 gpm (9.5 L/min) flow restrictors.</p>
<p>Modifications</p> <ul style="list-style-type: none"> <input type="checkbox"/> CG -1.5 <i>1.5 gpm (5.7 L/min) flow restrictor</i> <input type="checkbox"/> -2.0 <i>2.0 gpm (7.6 L/min) flow restrictor</i> <input type="checkbox"/> -H521-V <i>30" slide bar in place of wall cradle on hand shower units (chrome and satin finishes only)</i> <input type="checkbox"/> -IPS <i>1/2" female IPS connections</i> <input type="checkbox"/> -REV <i>Reverse coring, hot on right, cold on left, for back to back installations</i> <input type="checkbox"/> -X <i>Integral service stops</i> <input type="checkbox"/> -X-CHKS <i>Integral check stops - for use in installations where a positive shut-off device is used downstream of mixing valve</i> <input type="checkbox"/> -STN <i>Satin Nickel finish</i> 	<p>5106 Tub/shower/hand shower system powered by the Temptrol® Pressure Balancing valve. Features adjustable stop screw to limit handle turn, separate three function diverter, non-diverter tub spout, 1 mode hand shower, 1 mode showerhead and standard 2.5 gpm (9.5 L/min) flow restrictors.</p> <p>All components made from metal and nonmetallic materials plated in standard polished chrome finish.</p> 
	<p>Compliance</p>
	<p>-ASME A112.18.1/CSA B125.1</p> 
	<p>Warranty</p>
<p>Note: Append appropriate -suffix to model number.</p>	<p>Limited Lifetime - to the original end purchaser in consumer/residential installations. 5 Years - for industrial/commercial installations. Refer to symmons.com/warranty for complete warranty information.</p>

Dimensions

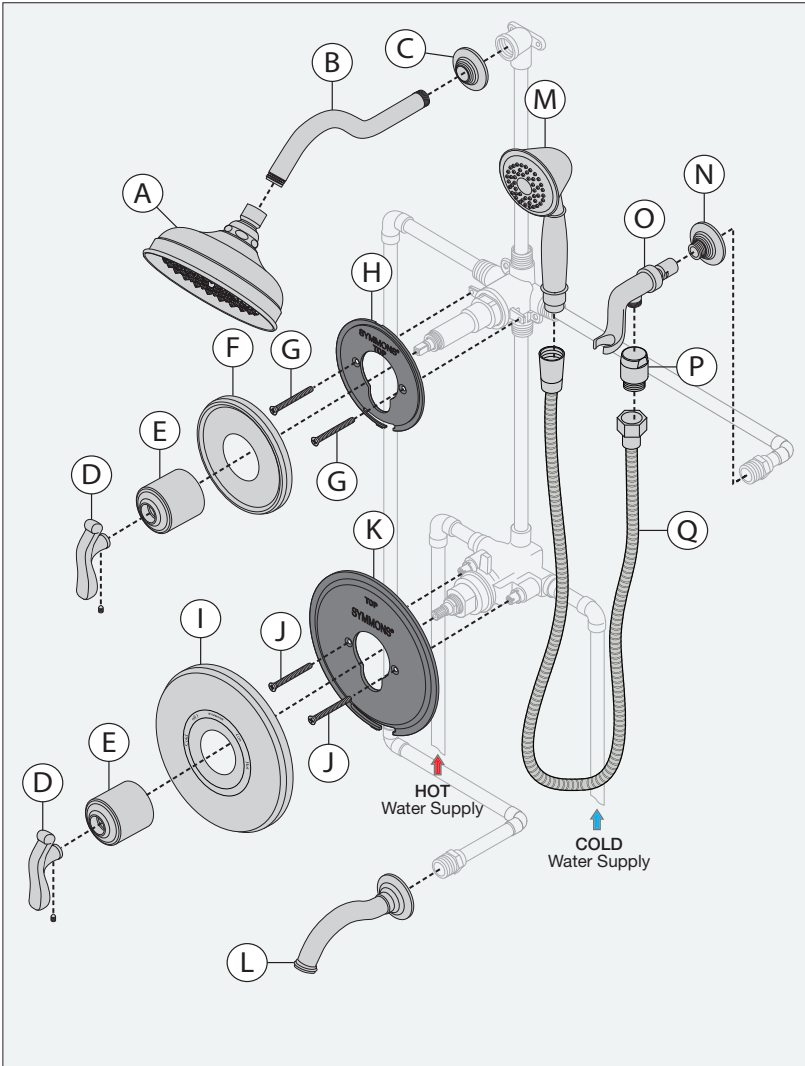


Measurements	
A	Ø 2-1/2", 64 mm
B	12", 305 mm
C	6", 152 mm
D	Male 1/2" NPT thread must protrude 1/2" (13 mm) from finished wall
E	Ref. 77", 1956 mm
F	3-1/2", 89 mm
G	Ø 5", 127 mm
H	Ø 7-1/2", 191 mm
I	10", 254 mm
J	Ø 2-1/2", 64 mm
K	5106 Ref. 32", 813 mm 5103, 5105 Ref. 42", 1067 mm
L	12", 305 mm
M	2-7/8", 73 mm
N	3-1/8", 79 mm
O	Rough-in 2-3/8" ± 1/2", 60 mm ± 13 mm
P	Male 1/2" NPT thread must protrude 1/2" (13 mm) from finished wall
Q	7", 178 mm

Notes:

- 1) All dimensions measured from nominal rough-in (see O as reference).
- 2) Dimensions subject to change without notice.

Parts Breakdown



Replacement Parts		
Item	Description	Part Number
A	Showerhead	4-166
B	Shower Arm	T-604
C	Shower Arm Flange	T-605
D	Handle Assembly	T-611
E	Dome Cover	T-01197-PL
F	Diverter Escutcheon	T-607-NS-K001
G	Screws	
H	Mounting Plate	
I	Shower Escutcheon	T-609-NS-K001
J	Screws	
K	Mounting Plate	
L	Tub Spout	512TS
M	Hand Shower	462W
N	Wall Cradle Flange	T-606
O	Wall Cradle	T-613
P	In-line Vacuum	EF-104
Q	Breaker & 60" Hose	

Notes:

- 1) Append -STN to part number for Satin Nickel finish
- 2) Append -1.5 or -2.0 to showerhead or hand shower for low flow.

Notes:

- 1) Apply a bead of silicone around the perimeter of all shower trim installed flush to the finished wall (less mounting plates and brackets). Leave opening on bottom of escutcheons for weep hole.
- 2) Apply plumber tape to all threaded connections.

Tools Required for Installation

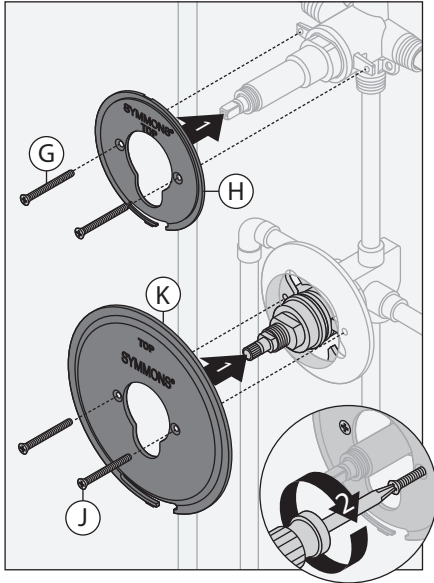
Adjustable Wrench	
Allen Wrench (1/8")	
Phillips Head Screwdriver	
Plumber Tape	
Silicone	

Installation

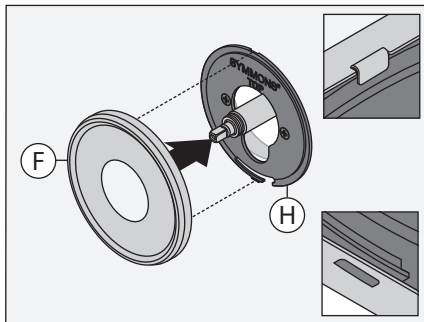
Note:

For valve body installation, please see valve body installation guides.

- 1) Install mounting plate (H) to diverter valve (5105 diverter valve = 2DIV-BODY, 5106 diverter valve = 3DIV-BODY) and mounting plate (K) to shower valve (4000-BODY). Secure each with two screws (G,J).

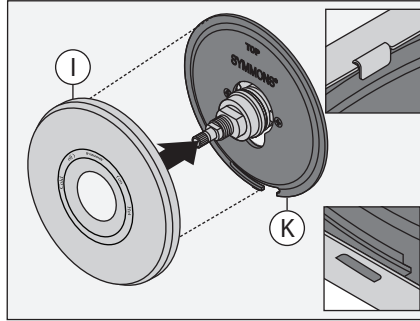


- 2) Attach diverter escutcheon (F) to mounting plate (H).



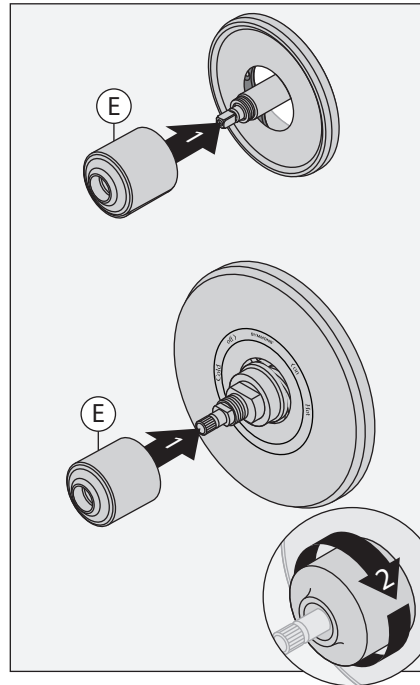
Note: Tabs should snap into place.

- 3) Attach shower escutcheon (I) to mounting plate (K).

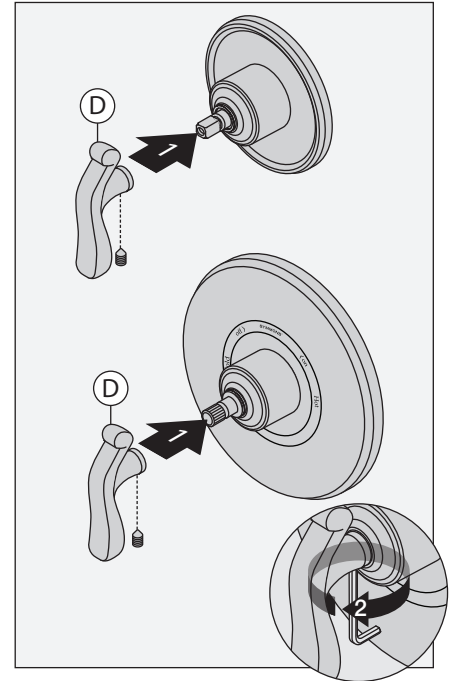


Note: Tabs should snap into place.

- 4) Install dome covers (E) to valves by turning clockwise.

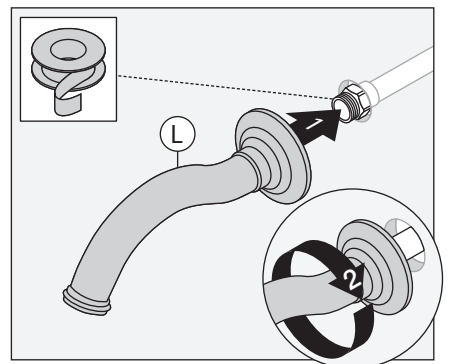


- 5) Install diverter handle (D) and shower handle (D) to valves. Secure handles by tightening set screws.



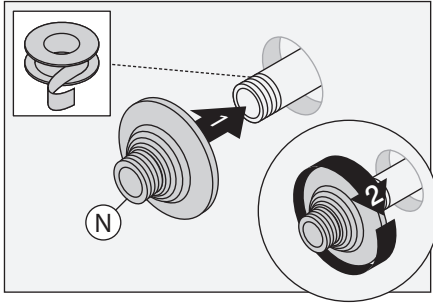
Note: Handles should be facing the 6 o'clock position.

- 6) Install tub spout (L) to pipe fitting. Turn clockwise to secure.

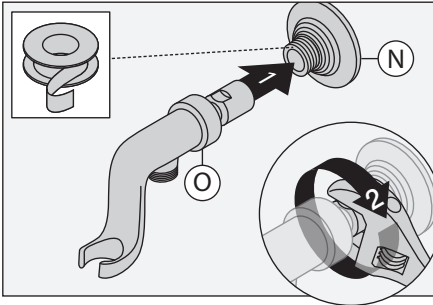


Installation

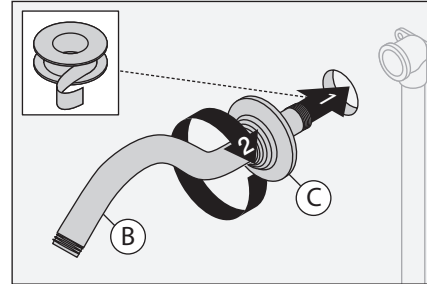
7) Install wall cradle flange (N) to pipe fitting. Turn clockwise to secure.



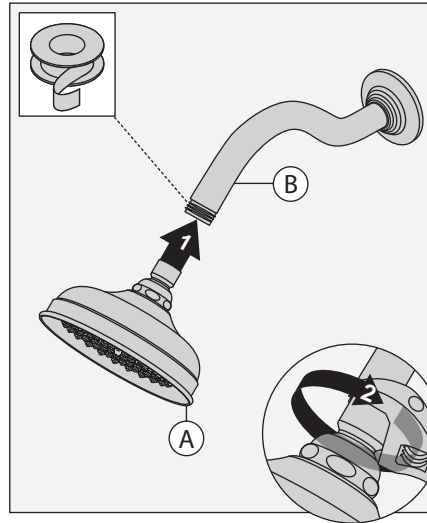
8) Attach wall cradle (O) to wall cradle flange (N) turning clockwise to tighten.



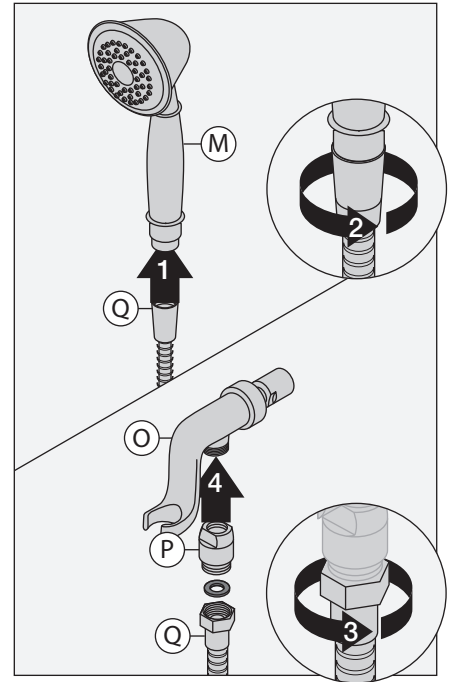
9) Attach shower arm (B) and flange (C) to vertical shower pipe turning clockwise to tighten.



10) Install showerhead (A) to shower arm (B) turning clockwise to tighten.

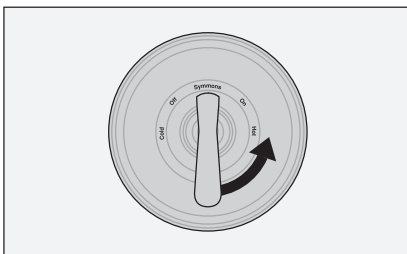


11) Attach large end of hand shower hose (Q) to hand shower (M). Attach small end of hand shower hose (Q) and gasket to in-line vacuum breaker (P). Connect in-line vacuum breaker (P) to wall cradle (O). Turn clockwise to tighten.

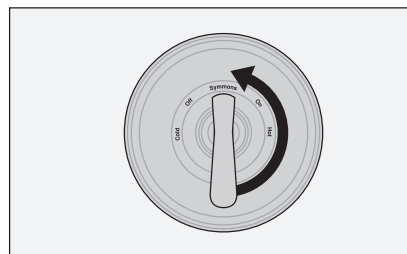


Operation (Temperature Control)

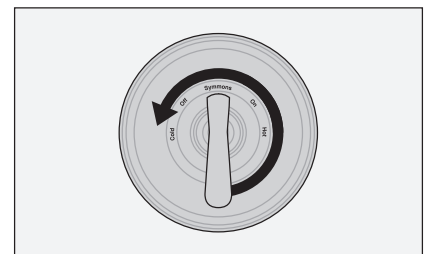
1) Turn shower handle counter-clockwise approximately 1/4 turn to put valve in cold position.



2) Turn shower handle counter-clockwise approximately 1/2 turn to put valve in warm position.

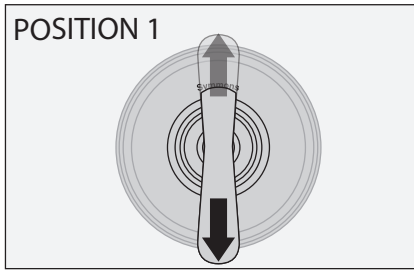


3) Turn shower handle counter-clockwise approximately 3/4 turn to put valve in hot position.

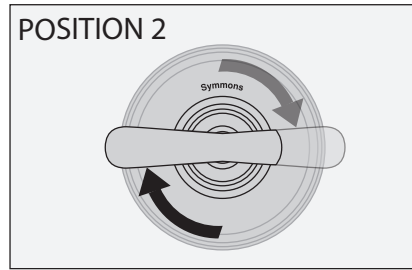


Operation (Diverter Control: 5105)

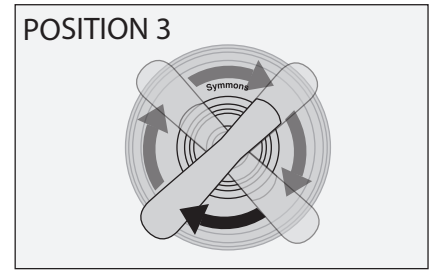
1) Cartridge is factory set to divert to function 1.



2) Turn handle to position 2 to divert to function 2.



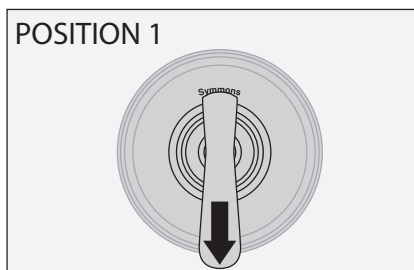
3) Turn handle to position 3 to share functions 1 and 2.



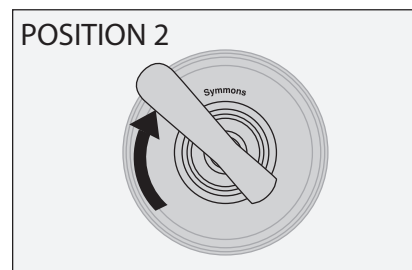
Note: Additional handle positions for same output are illustrated.

Operation (Diverter Control: 5106)

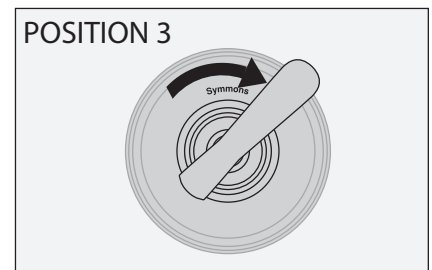
1) Cartridge is factory set to divert to function 1.



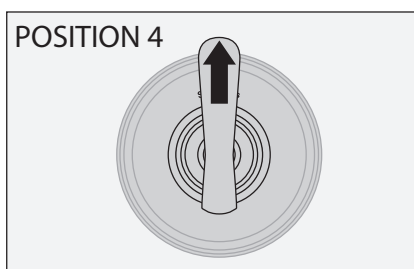
2) Turn handle to position 2 to divert to function 2.



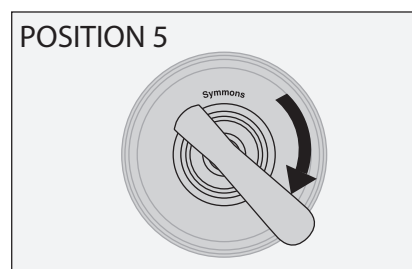
3) Turn handle to position 3 to divert to function 3.



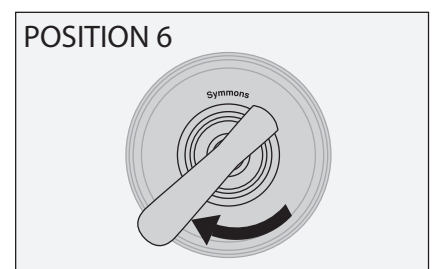
4) Turn handle to position 4 to share functions 2 and 3.



5) Turn handle to position 5 to share functions 1 and 3.



6) Turn handle to position 6 to share functions 1 and 2.



Troubleshooting Chart

Problem	Cause	Solution
Finish is spotting.	Elements in water supply may cause water staining on finish.	Clean finished trim area with a soft cloth using mild soap and water or a non-abrasive cleaner and then quickly rinse with water.

⚠ WARNING: This product can expose you to chemicals including lead, which is known to the state of California to cause cancer, birth defects, or other reproductive harm. For more information, go to www.P65Warnings.ca.gov.