

Location:



SYMMONS® Degas®

Shower Valve System 5400

Specification Submittal



Feature Highlights

- Symmons Shower Valve System with lever handle
- Symmons Temptrol® pressure-balancing mixing valve with adjustable stop screw to limit handle turn
- Polished chrome finish

Model Numbers

- 5400
Shower Valve System with Symmons Temptrol® mixing valve p/n 46-2-BODY
- 5400-TRM
Trim only, mixing valve ordered separately
- 46-2-BODY
Symmons Temptrol® mixing valve without trim
- 46-2X-BODY
Symmons Temptrol® mixing valve without trim. Valve includes integral service stops to allow water shut-off for service


Finish Options / Modifications

Append appropriate -suffix to model number

- STN Satin Nickel
- ORB Oil Rubbed Bronze
- Polished Chrome (standard finish)

Options/Modifications

Append appropriate -suffix to model number

- IPS 1/2" female IPS connections
-  -LP Loop handle
- REB Rebuild trim kit, includes TA-10 and TA-4
- REV Reverse coring, hot on right, cold on left, for back to back installations
- VP Vandal resistant escutcheon screws in place of standard screws
- X Integral service stops - allows water shutoff at valve for service
- X-CHKS Integral check stops - for use in installations where a positive shut-off device is used downstream of mixing valve

Standards / Certifications

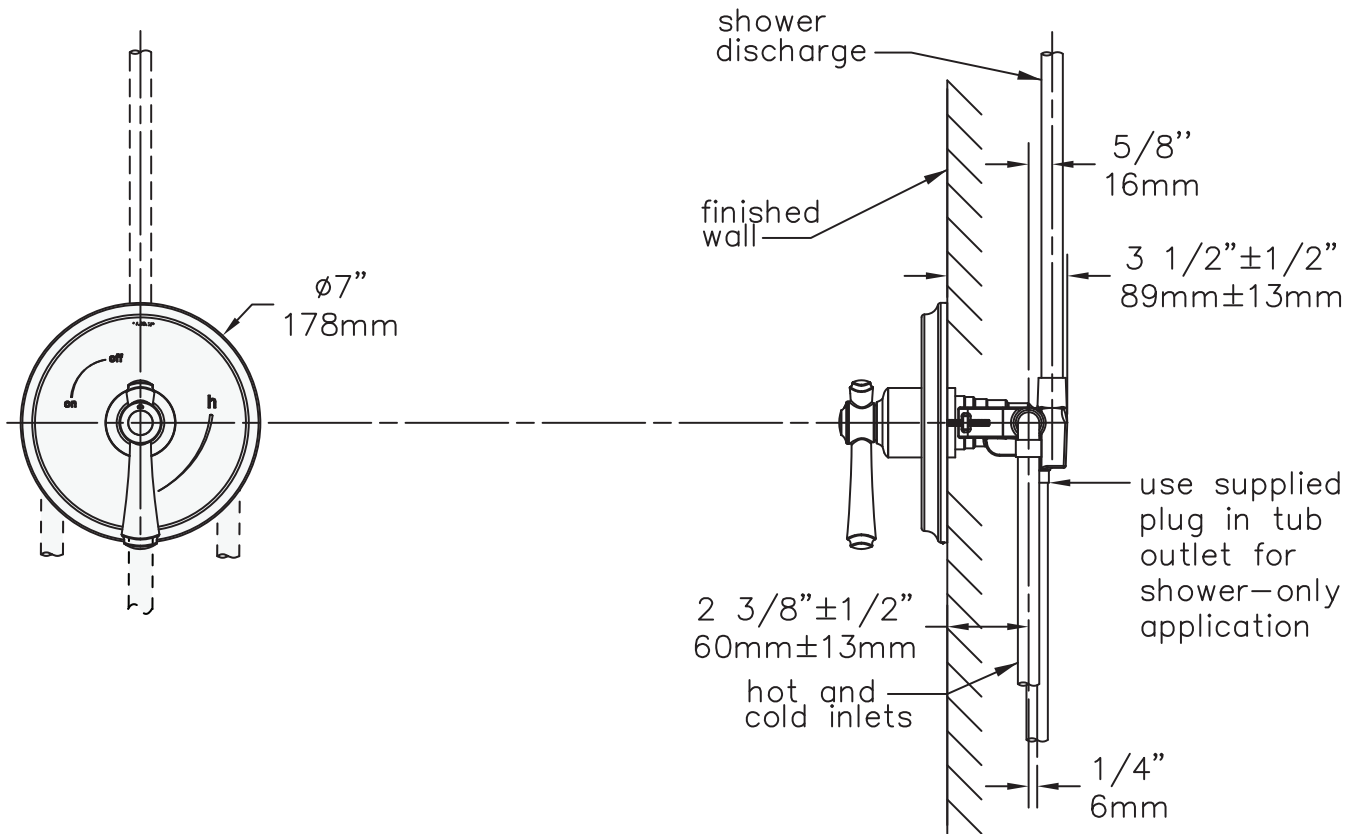
ASME A112.18.1/CSA B125.1



Warranty

- Limited Lifetime - to the original end purchaser in consumer installations
- 5 years - for commercial installations

Dimensions Degas Shower Valve System, 5400



Note: Dimensions subject to change without notice