


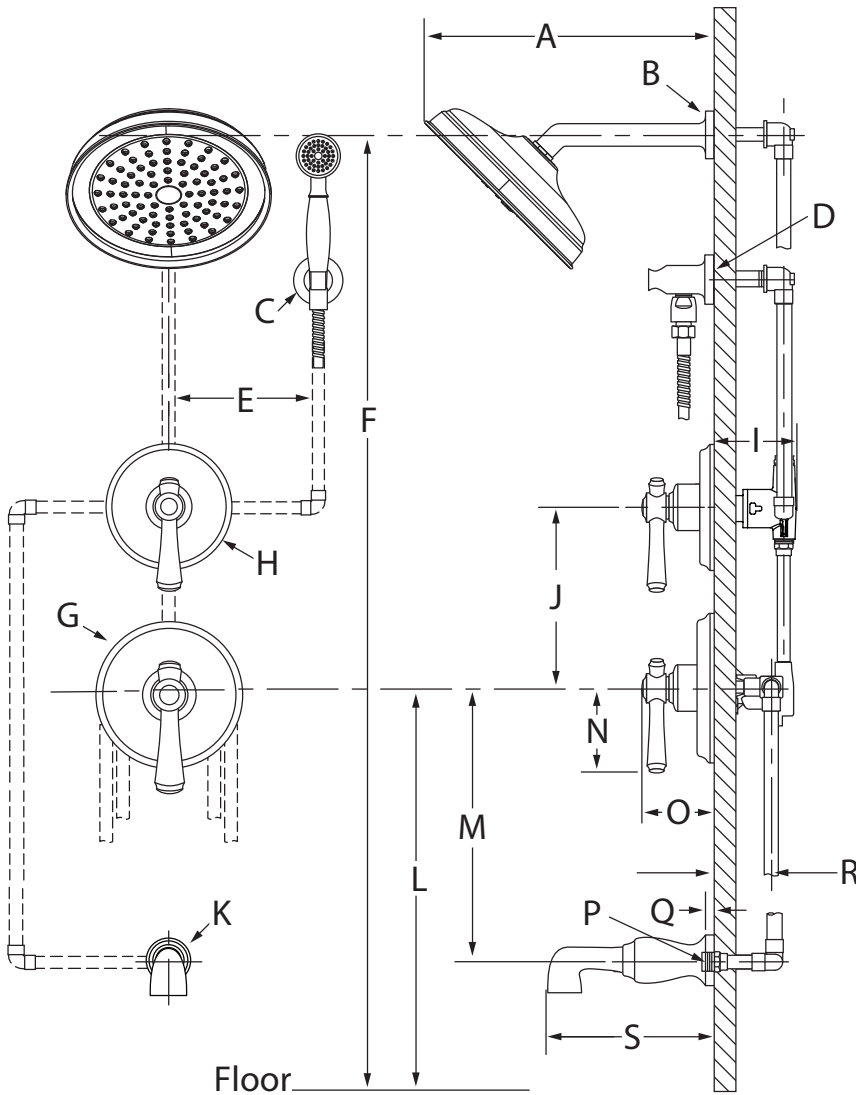


5403-TRM, 5405-TRM, 5406-TRM  
 Degas® Trim Series  
 Operation & Maintenance Manual

Model Numbers	Specifications
<input type="checkbox"/> <b>5403-TRM</b> <i>Valve Trim with Hand Shower</i>  <input type="checkbox"/> <b>5405-TRM</b> <i>Shower Trim with Hand Shower</i>  <input type="checkbox"/> <b>5406-TRM</b> <i>Tub/Shower Trim with Hand Shower</i>	<p>Tub/shower trim with hand shower and lever handle includes wall cradle for hand shower mounting, in-line vacuum breaker, flexible metal hose, non-diverter tub spout, 1 mode hand shower and 3 mode showerhead with standard 2.5 gpm (9.5 L/min) flow restrictor. Shower trim with hand shower and lever handle includes all of the above less non-diverter tub spout. Valve trim with hand shower and lever handle includes all of the above less non-diverter tub spout and 3 mode showerhead. Components made from metal and nonmetallic materials plated in standard polished chrome finish.</p>
Modifications	Compliance
<input type="checkbox"/> <b>-1.5</b>  <i>1.5 gpm (5.7 L/min) flow restrictor</i> <input type="checkbox"/> <b>-2.0</b>  <i>2.0 gpm (7.6 L/min) flow restrictor</i> <input type="checkbox"/> <b>-H521-V</b> <i>30" slide bar in place of wall cradle on hand shower units</i>  <input type="checkbox"/> <b>-ORB</b> <i>Oil rubbed bronze finish</i>  <input type="checkbox"/> <b>-STN</b> <i>Satin nickel finish</i>	<p>-ASME A112.18.1; CSA B125.1</p>  <p><b>⚠ WARNING:</b> This product can expose you to chemicals including lead, which is known to the state of California to cause cancer, birth defects, or other reproductive harm. For more information, go to <a href="http://www.P65Warnings.ca.gov">www.P65Warnings.ca.gov</a>.</p>
	<h3>Warranty</h3> <p><b>Limited Lifetime</b> - to the original end purchaser in consumer installations.  <b>5 Years</b> - for commercial installations.</p> <p>Refer to <a href="http://www.symmons.com/warranty">www.symmons.com/warranty</a> for complete warranty information.</p>

**Note:** Append appropriate -suffix to model number.

## Dimensions

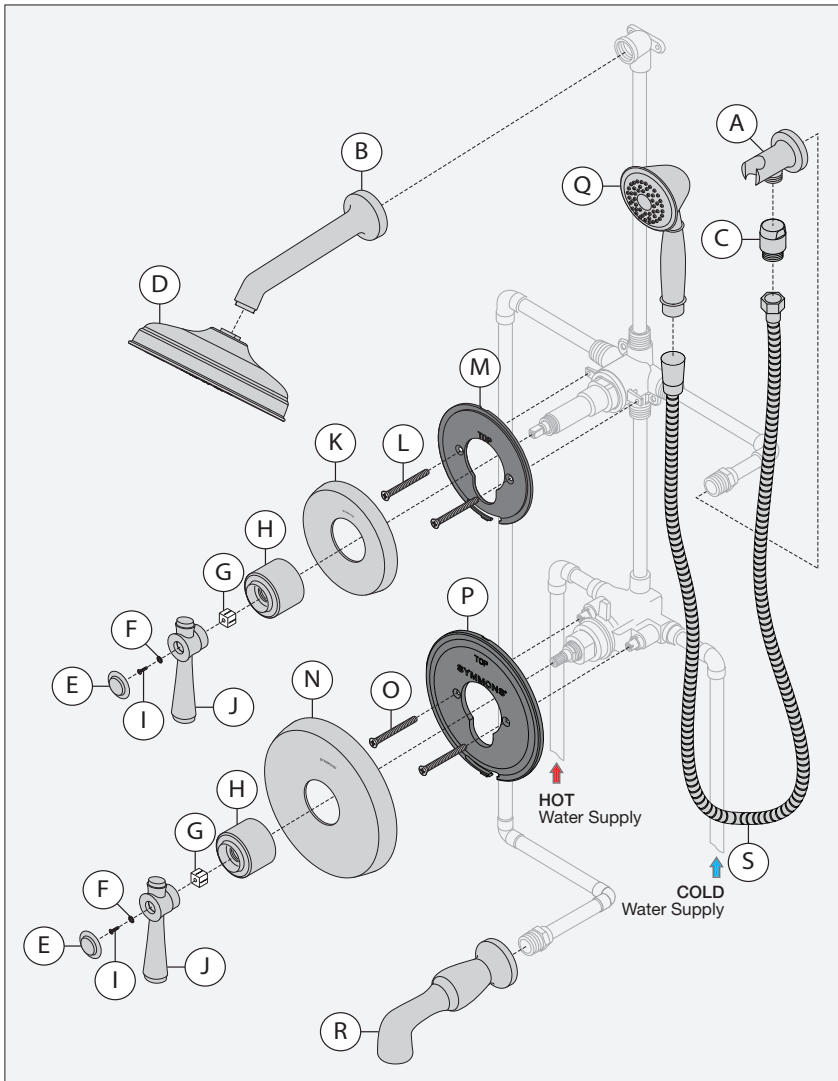


Measurements	
A	12-1/8", 308 mm
B	Ø 2-1/2", 64 mm
C	Ø 2-1/2", 64 mm
D	Male 1/2" IPS thread must protrude 3/8" from finished wall
E	6", 152 mm
F	Ref. 77", 1956 mm
G	Ø 7", 178 mm
H	Ø 5-1/2", 140 mm
I	3-1/2", 89 mm
J	Ref. 10", 254 mm
K	Ø 2-1/2", 64 mm
L	Ref. 32", 813 mm
M	12", 305 mm
N	3-3/4", 95 mm
O	4-1/4", 108 mm
P	1/2" - 14 NPT
Q	1/2", 13 mm
R	(Rough in) 2-3/8" ± 1/2", 60 mm ± 13 mm
S	8", 203 mm

### Notes:

- 1) All dimensions measured from nominal rough-in (see R as reference).
- 2) Dimensions are subject to change without notice.

## Parts Breakdown



### Notes:

- 1) Apply a bead of silicone around the perimeter of all shower trim installed flush to the finished wall (less mounting plates and brackets). Leave opening on bottom of escutcheons for weep hole.
- 2) Apply plumber tape to all threaded connections.

### Replacement Parts


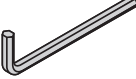
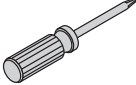

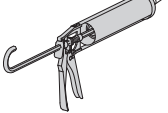
Item	Description	Part Number
A	Wall Cradle	T-635*
B	Shower Arm	522SA*
C	Vacuum Breaker	EF-104*
D	Showerhead	511SH*
E	Plug Button	T-694*
F	Star Washer	
G	Handle Insert	
I	Set Screw	
J	Handle	
H	Dome Cover	T-696*
K	Escutcheon	LLD-104-NS-KIT*
L	Screws	
M	Mounting Plate	
H	Dome	RTS-080*
N	Escutcheon	
O	Screws	
P	Mounting Plate	
Q	Hand Shower	462W*
R	Tub Spout	T-783*
S	60" Hose	EF-104*

### Notes:

\*1) Append -ORB to part number for oil rubbed bronze finish; -STN for satin nickel.

- 2) Append -1.5 or -2.0 to showerhead or hand shower for low flow.

### Tools Required for Installation

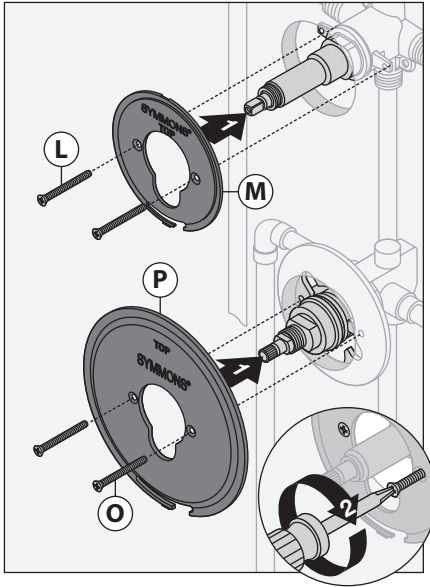
Adjustable Wrench	
Allen Wrench 3/16"	
Phillips Head Screwdriver	
Plumber Tape	
Silicone	

## Installation

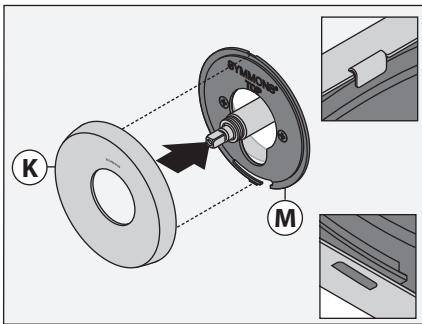
### Note:

For valve body installation, please see valve body installation guides.

- 1) Install small mounting plate (M) to diverter valve and large mounting plate (P) to shower valve. Secure each with two screws (L/O).

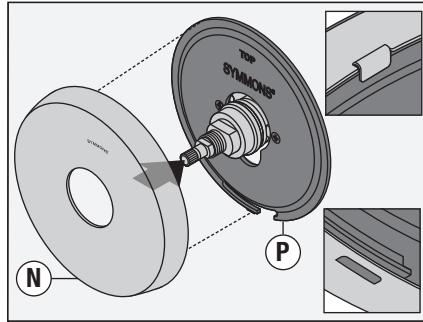


- 2) Attach diverter escutcheon (K) to small mounting plate (M).



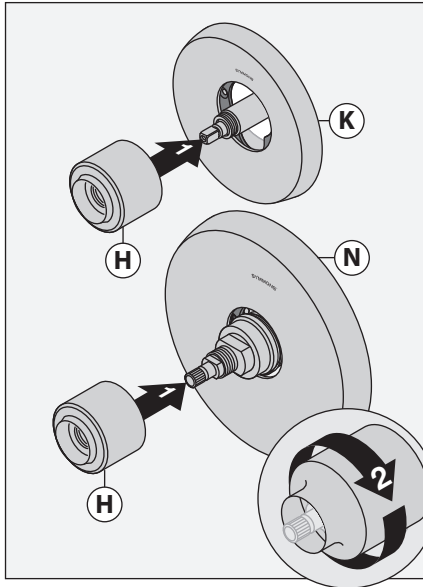
**Note:** Tabs should snap into place.

- 3) Attach shower escutcheon (N) to large mounting plate (P).

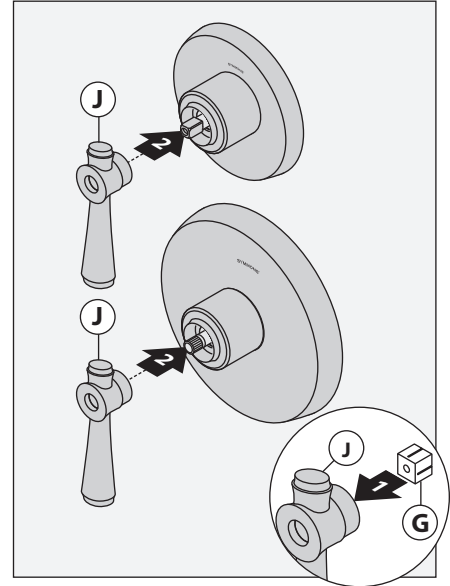


**Note:** Tabs should snap into place.

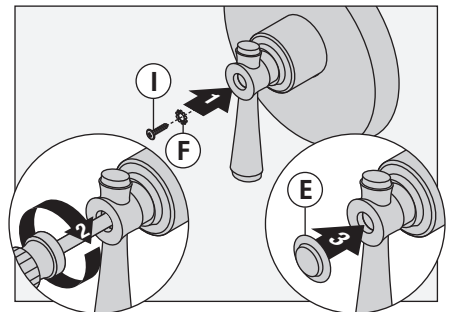
- 4) Install dome covers (H) to valves by turning clockwise.



- 5) Insert handle insert (G) into handle(s) (J). Install diverter handle (J) (5405 and 5406 only) and shower handle (J) to valves.



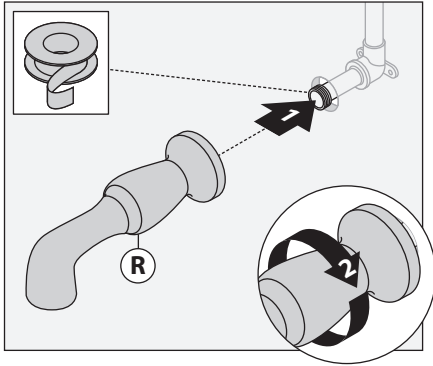
- 6) Secure handle(s) to valves using star washer (F) and screw (I). Attach plug button (E) to handle(s).



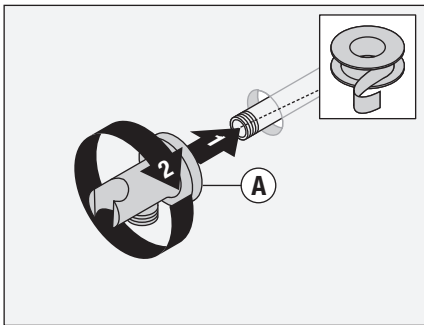
**Note:** Handle should be facing the 6 o'clock position.

## Installation

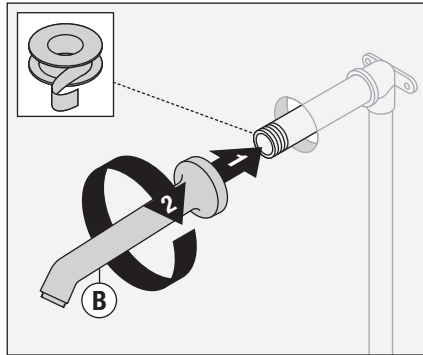
- 7) Install tub spout (R) to pipe fitting. Turn clockwise to secure.



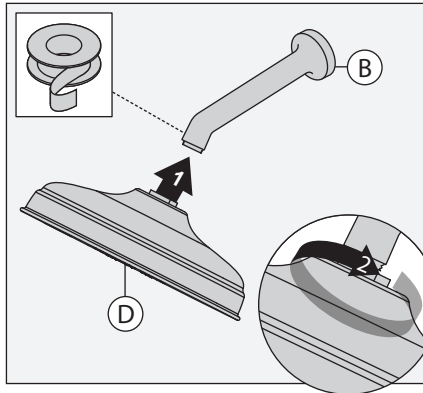
- 8) Install wall cradle (A) to pipe fitting. Turn clockwise to tighten.



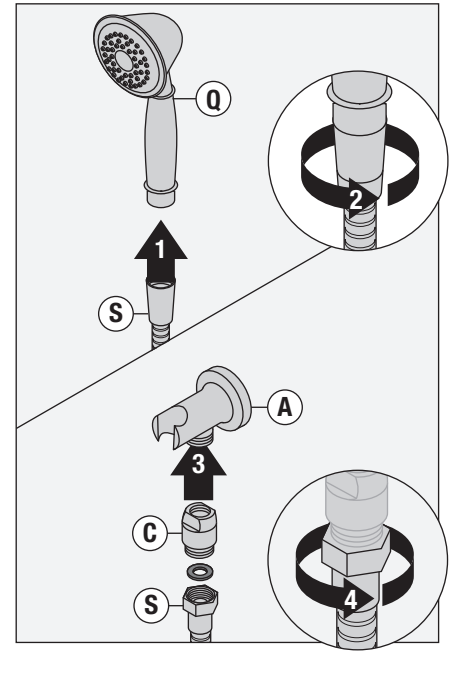
- 9) Attach shower arm (B) to vertical shower pipe. Turn clockwise to tighten.



- 10) Install showerhead (D) to shower arm (B). Turn clockwise to tighten.

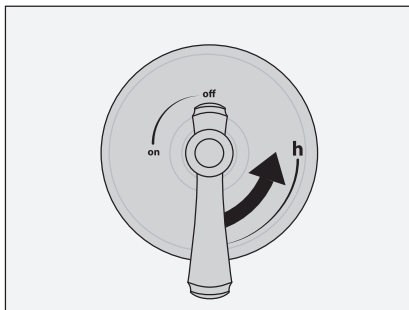


- 11) Attach large end of hand shower hose (S) to hand shower (Q). Attach small end of hand shower hose (S) and gasket to in-line vacuum breaker (C). Connect in-line vacuum breaker (C) to wall cradle (A). Turn clockwise to tighten.

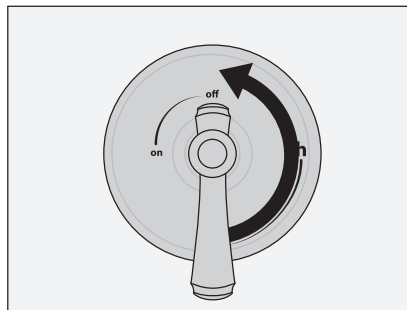


## Operation (Temperature Control)

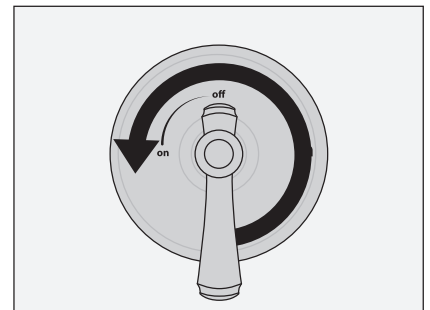
- 1) Turn shower handle counter-clockwise approximately 1/4 turn to put valve in cold position.



- 2) Turn shower handle counter-clockwise approximately 1/2 turn to put valve in warm position.

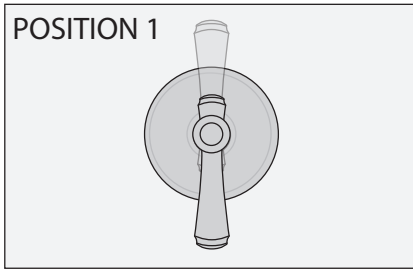


- 3) Turn shower handle counter-clockwise approximately 3/4 turn to put valve in hot position.

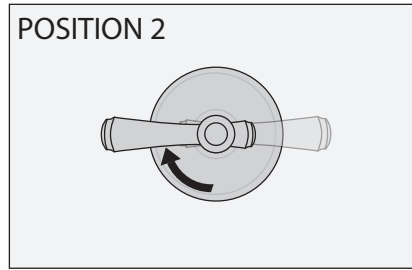


## Operation (Diverter Control: 5405-TRM Only)

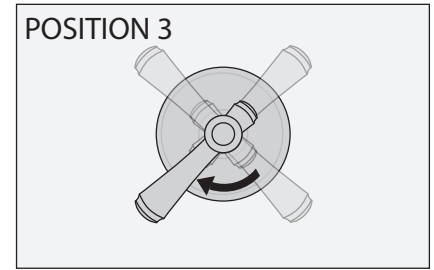
1) Cartridge is factory set to divert to function 1.



2) Turn handle to position 2 to divert to function 2.



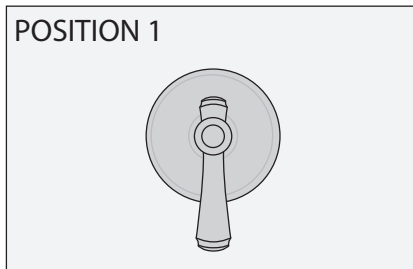
3) Turn handle to position 3 to share functions 1 and 2.



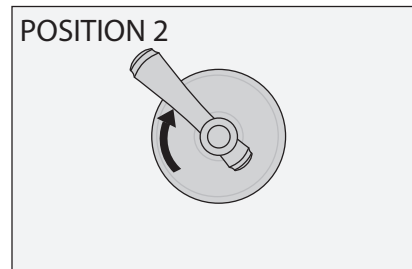
**Note:** Additional handle positions for same output are illustrated.

## Operation (Diverter Control: 5406-TRM Only)

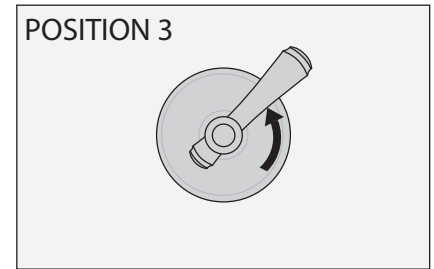
1) Cartridge is factory set to divert to function 1.



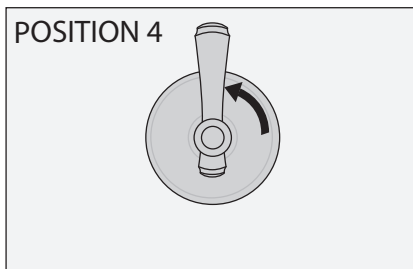
2) Turn handle to position 2 to divert to function 2.



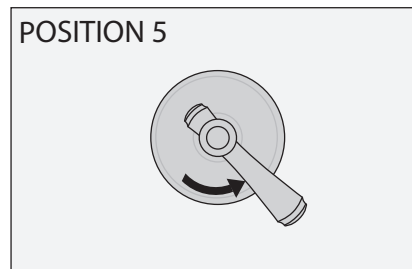
3) Turn handle to position 3 to divert to function 3.



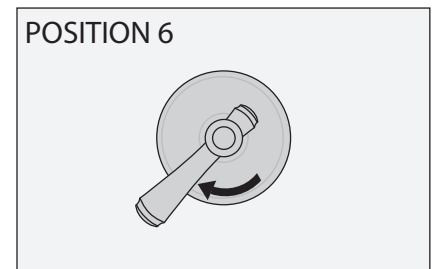
4) Turn handle to position 4 to share functions 2 and 3.



5) Turn handle to position 5 to share functions 1 and 3.



6) Turn handle to position 6 to share functions 1 and 2.



## Care and Cleaning

1) Clean finished trim area with a soft cloth using mild soap and water or a non-abrasive cleaner and then quickly rinse with water.

## Troubleshooting Chart

Problem	Cause	Solution
Finish is spotting.	Elements in water supply may cause water staining on finish.	Clean finished trim area with a soft cloth using mild soap and water or a non-abrasive cleaner and then quickly rinse with water.