

Location:

  
**SYMMONS® Degas®**  
**Tub-Shower Valve System S-5400TS**  
**Specification Submittal**



### Feature Highlights

- Symmons Tub-Shower Valve System with lever handle
- Symmons Temptrol® pressure-balancing mixing valve with adjustable stop screw to limit handle turn
- Secondary integral diverter control handle
- Polished chrome finish

### Model Numbers

- S-5400TS  
Tub-Shower Valve System with Symmons Temptrol® mixing valve p/n S-46-2-BODY
- S-5400TS-TRM  
Trim only, mixing valve ordered separately
- S-46-2-BODY  
Symmons Temptrol® mixing valve without trim
- S-46-2X-BODY  
Symmons Temptrol® mixing valve without trim. Valve includes integral service stops to allow water shut-off for service


### Finish Options / Modifications

*Append appropriate -suffix to model number*

- STN Satin Nickel
- ORB Oil Rubbed Bronze
- Polished Chrome (standard finish)

### Options/Modifications

*Append appropriate -suffix to model number*

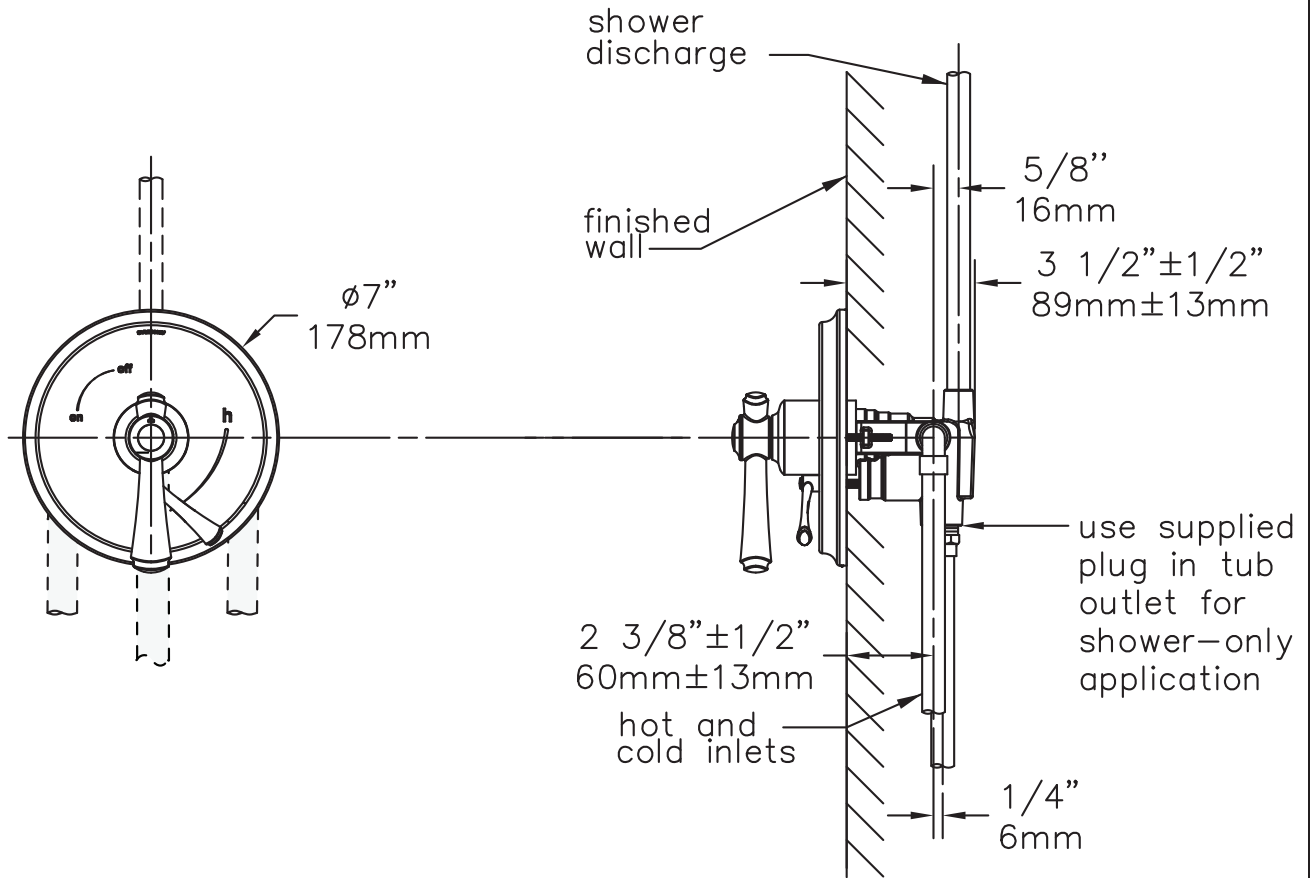
- IPS 1/2" female IPS connections
-  -LP Loop handle
- REB Rebuild trim kit, includes TA-10 and TA-4
- REV Reverse coring, hot on right, cold on left, for back to back installations
- VP Vandal resistant escutcheon screws in place of standard screws
- X Integral service stops - allows water shutoff at valve for service
- X-CHKS Integral check stops - for use in installations where a positive shut-off device is used downstream of mixing valve

### Standards / Certifications

ASME A112.18.1/CSA B125.1



# Dimensions Degas Tub-Shower Valve System, S-5400TS



**Note:** Dimensions subject to change without notice