







**SYMMONS® Dia®**  
the smart choice™

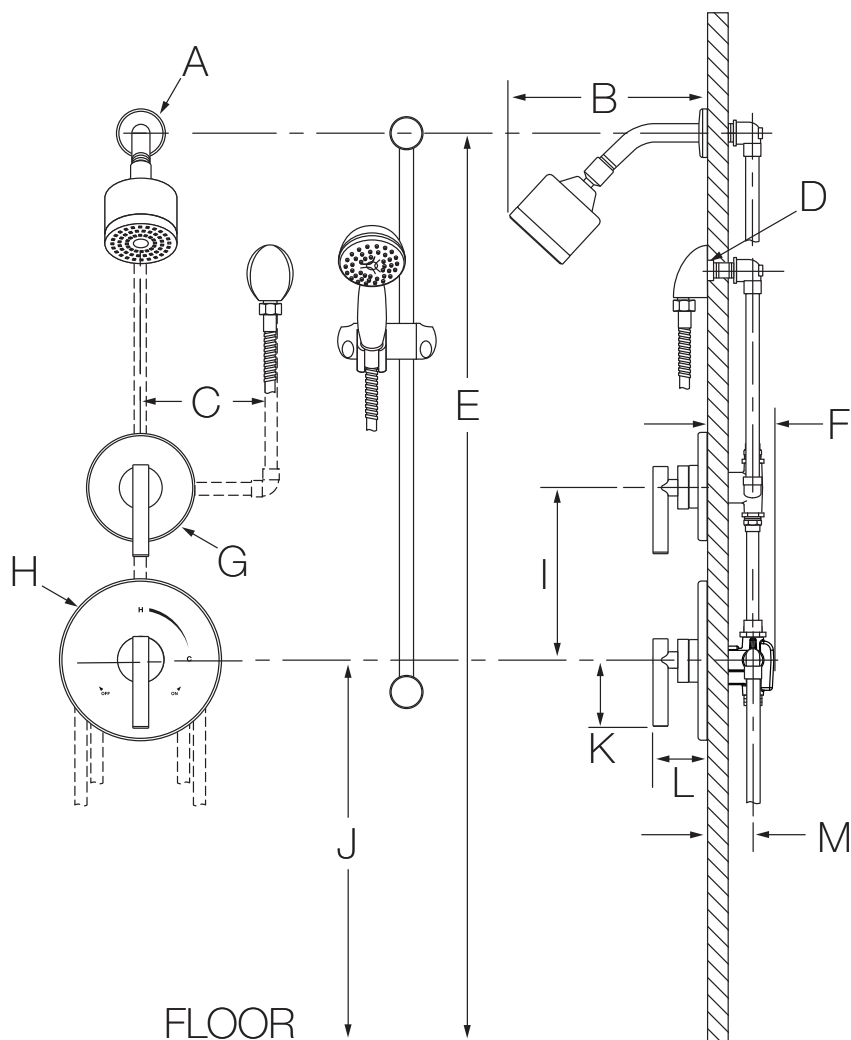
Location:

**3505-H321-V-CYL-B-TRM, 3505H321CYLBTRMTC**  
**Shower/Hand Shower Trim**  
**Specification Submittal**

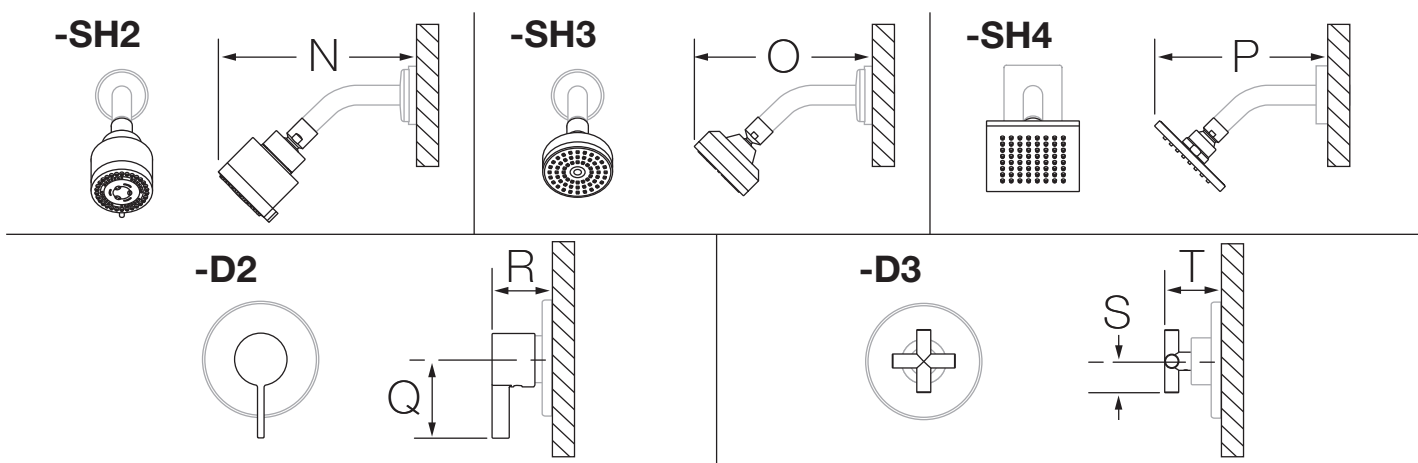


Feature Highlights	Options/Modifications
<ul style="list-style-type: none"> <li>• Dia Shower/Hand Shower Trim</li> <li>• Requires Temptrol® Pressure Balancing Shower Valve</li> <li>• Requires Symmons Dual Outlet Diverter Valve</li> <li>• Metal lever handles</li> <li>• 30" slide bar for hand shower wand</li> <li>• Dual checks for backflow protection</li> <li>• 60" flexible metal hose</li> <li>• 1 mode hand shower wand</li> <li>• 1 mode showerhead</li> <li>• 2.5 gpm (9.5 L/min) flow restrictors</li> <li>• Tub spout not included</li> <li>• Components shall be metal and nonmetallic construction, plated in standard Polished Chrome finish</li> <li>• Available with TA-10 flow control spindle and T-12A cap assembly for Temptrol valve bodies installed with Test Cap (order p/n 3505H321CYLBTRMTC)</li> <li>• For optional in-line vacuum breaker order p/n EF-109</li> </ul>	<ul style="list-style-type: none"> <li><input type="checkbox"/> <b>-1.5</b>  1.5 gpm (5.7 L/min) flow restrictor</li> <li><input type="checkbox"/> <b>-2.0</b> 2.0 gpm (7.6 L/min) flow restrictor</li> <li><input type="checkbox"/> <b>-72</b> 72" hose in place of 60" hose</li> <li><input type="checkbox"/> <b>-ADACHS</b> ADA hand shower wand (chrome)</li> <li><input type="checkbox"/> <b>-ADAHS</b> ADA hand shower wand (white)</li> <li><input type="checkbox"/> <b>-D2</b>  Diverter handle</li> <li><input type="checkbox"/> <b>-D3</b>  Diverter handle</li> <li><input type="checkbox"/> <b>Delete Suffix B</b> Chrome plastic escutcheon on valve with color graphic/indicators in place of standard brass escutcheon</li> <li><input type="checkbox"/> <b>-EX</b> Exposed column/slide bar, hand shower bracket and hand shower wand (35EX)</li> <li><input type="checkbox"/> <b>-H301-V</b> 1 mode hand shower unit with hand shower cradle</li> <li><input type="checkbox"/> <b>-H323-V</b> 3 mode hand shower unit with slide bar</li> <li><input type="checkbox"/> <b>-H323-V-48</b> 3 mode hand shower unit with 48" slide bar</li> <li><input type="checkbox"/> <b>-H3524</b> 24" decorative slide/grab bar with ADA wand</li> <li><input type="checkbox"/> <b>-H3536</b> 36" decorative slide/grab bar with ADA wand</li> <li><input type="checkbox"/> <b>-L1</b> Less showerhead</li> <li><input type="checkbox"/> <b>-L2</b> Less hand shower wand</li> <li><input type="checkbox"/> <b>-L3</b> Less showerhead &amp; hand shower wand</li> <li><input type="checkbox"/> <b>-QD</b> Quick-disconnect on hand shower units</li> <li><input type="checkbox"/> <b>-R</b> 60" white vinyl hose in place of 60" metal hose</li> <li><input type="checkbox"/> <b>-REB</b> Rebuild trim kit, includes TA-10 and TA-4</li> <li><input type="checkbox"/> <b>-SH2</b> Alternative 352SH-3, 3 mode showerhead</li> <li><input type="checkbox"/> <b>-SH3</b> Alternative 362SH Duro showerhead</li> <li><input type="checkbox"/> <b>-SH4</b> Alternative 361SH Duro square showerhead</li> <li><input type="checkbox"/> <b>-T724</b> 24" slide bar/grab bar with ADA wand</li> <li><input type="checkbox"/> <b>-T736</b> 36" slide bar/grab bar with ADA wand</li> <li><input type="checkbox"/> <b>-T748</b> 48" slide bar/grab bar with ADA wand</li> <li><input type="checkbox"/> <b>-VB</b> Elevated vacuum breaker</li> <li><input type="checkbox"/> <b>-VP</b> Vandal resistant escutcheon screws in place of standard screws</li> <li><input type="checkbox"/> <b>-BBZ</b> Brushed Bronze finish</li> <li><input type="checkbox"/> <b>-MB</b> Matte Black finish</li> <li><input type="checkbox"/> <b>-STN</b> Satin Nickel finish</li> </ul> <p><b>Note:</b> Append appropriate -suffix to model number.</p>
<p><b>Model Numbers</b></p>	
<ul style="list-style-type: none"> <li><input type="checkbox"/> <b>3505-H321-V-CYL-B-TRM</b> Shower/Hand Shower Trim, Temptrol Pressure Balancing Shower Valve and Symmons Dual Outlet Diverter valve ordered separately</li> <li><input type="checkbox"/> <b>3505H321CYLBTRMTC</b> Shower/Hand Shower Trim with TA-10 flow control spindle and T-12A cap assembly, must order Temptrol valve with Test Cap</li> </ul>	
<p><b>Compliance</b></p> <ul style="list-style-type: none"> <li>• ASME A112.18.1/CSA B125.1</li> </ul> 	
<p><b>Warranty</b></p> <p><b>Limited Lifetime</b> - to the original end purchaser in consumer/residential installations.  <b>5 Years</b> - for industrial/commercial installations.  Refer to <a href="http://www.symmons.com/warranty">www.symmons.com/warranty</a> for complete warranty information.  Go to <a href="http://www.symmons.com/register">www.symmons.com/register</a> to register your Symmons product.</p>	

# Dimensions



Measurements	
A	Ø 2-1/2", 64 mm
B	6-3/4", 171 mm
C	6", 152 mm
D	Male 1/2-14 NPT thread must be recessed 1/4" (6 mm) from finished wall
E	Ref. 77", 1956 mm
F	3-1/2", 89 mm
G	Ø 5", 127 mm
H	Ø 7-1/2", 191 mm
I	Ref. 10", 254 mm
J	Ref. 42", 1067 mm
K	3", 76 mm
L	2-7/8", 73 mm
M	Rough-in 2-3/8" ± 1/2", 60 mm ± 13 mm
N	6-3/4", 171 mm
O	6", 152 mm
P	5-5/8", 143 mm
Q	3", 76 mm
R	2-7/8", 73 mm
S	1-3/8", 35 mm
T	2-7/8", 73 mm



### Notes:

- 1) Valve body and piping not included and shown as reference only.
- 2) Plaster shield (p/n T-176) for dry wall, plaster or other type walls 1/2" or greater.
- 3) All dimensions measured from nominal rough-in (see M as reference).
- 4) Dimensions subject to change without notice.