

Location:



Showerhead 412SH Specification Submittal



Model Numbers

- 412SH Showerhead

Finish Options / Modifications

Append appropriate -suffix to model number.

- STN Satin nickel finish
- PNL Polished nickle finish
- Polished chrome finish (standard finish)

Options / Modifications

Append appropriate -suffix to model number.

- CG** -1.5 1.5 gpm (5.7 L/min) Flow rate restrictor
- CG** -1.75 1.75 gpm (6.6 L/min) Flow rate restrictor
- 2.0 2.0 gpm (7.6 L/min) Flow rate restrictor

Feature Highlights

- Three mode showerhead
- 2.5 gpm (9.6 /min) standard flow rate
- Polished chrome finish (standard)

Standards / Certifications

ASME A112.18.1/CSA B125.1

WaterSense 1.5 gpm (5.7 L/min)

1.75 gpm (6.6 L/min)

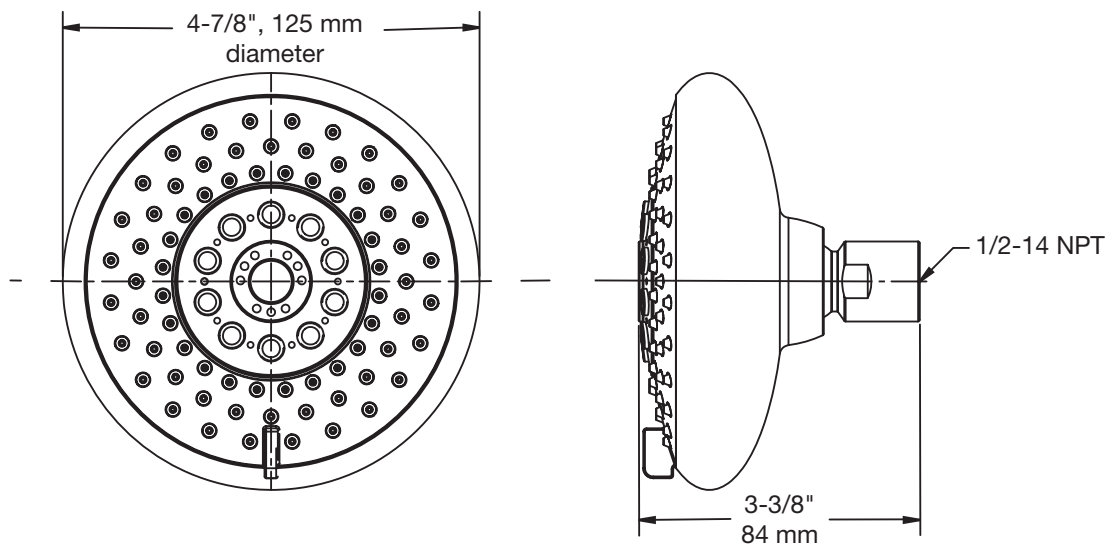
2.0 gpm (7.6 L/min)



Warranty

- Limited Lifetime - to the original end purchaser in consumer installations.
- 5 years - for commercial installations

Dimensions Showerhead, 412SH



Note: Dimensions subject to change without notice.