

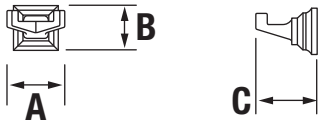
423RH, 423TB-18, 423TB-24, 423TP, 423TR
Oxford[®] Accessories
Operation & Maintenance Manual

Model Numbers	Specifications
<input type="checkbox"/> 423RH <i>Robe Hook</i> <input type="checkbox"/> 423TB-18 <i>18" Towel Bar</i> <input type="checkbox"/> 423TB-24 <i>24" Towel Bar</i> <input type="checkbox"/> 423TP <i>Toilet Paper Holder</i> <input type="checkbox"/> 423TR <i>Towel Ring</i>	<p>All premium accessories made from metal construction, plated in standard polished chrome finish.</p>
Modifications	Warranty
<input type="checkbox"/> -ORB <i>Oil rubbed bronze finish</i> <input type="checkbox"/> -STN <i>Satin nickel finish</i>	<p>Limited Lifetime - to the original end purchaser in consumer installations. 5 Years - for commercial installations.</p> <p>Refer to www.symmons.com/warranty for complete warranty information.</p>

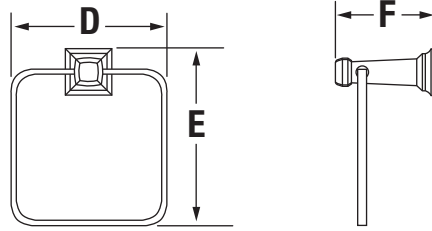
Note: Append appropriate -suffix to model number.

Dimensions

423RH



423TR

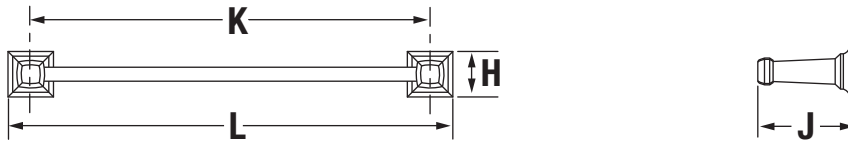


Measurements	
A	2 5/8", 67 mm
B	2", 51 mm
C	2 3/4", 70 mm
D	6 7/8", 175 mm
E	7 3/4", 197 mm
F	4 3/8", 111 mm
G	5 7/8", 149 mm
H	2", 51 mm
I	7 7/8", 200 mm
J	4 3/8", 111 mm
K	18", 457 mm
L	20 1/8", 511 mm
M	24", 610 mm
N	26", 660 mm

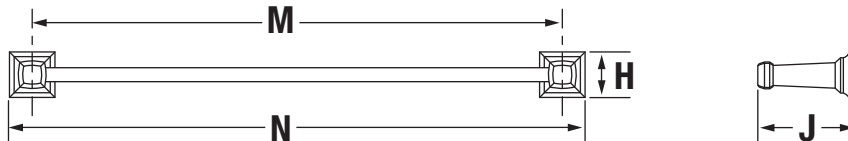
423TP



423TB-18



423TB-24

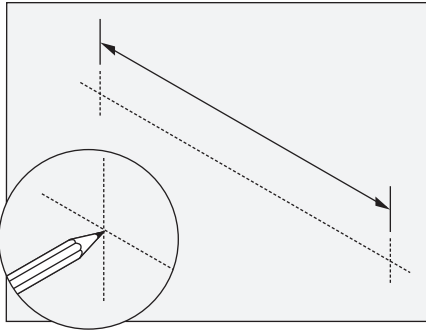


Required for Installation	
Phillips head screwdriver	
Allen wrench (2mm)	
Power Drill	

Note: Dimensions are subject to change without notice.

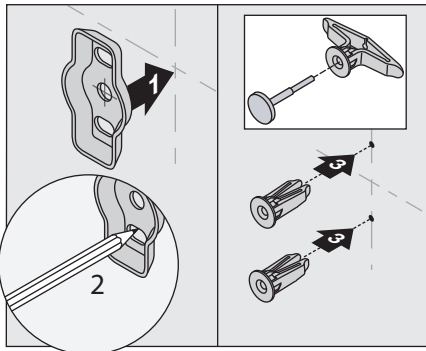
Installation

- 1) Measure and mark centerlines for mounting bracket installation using dimensions on page 2.



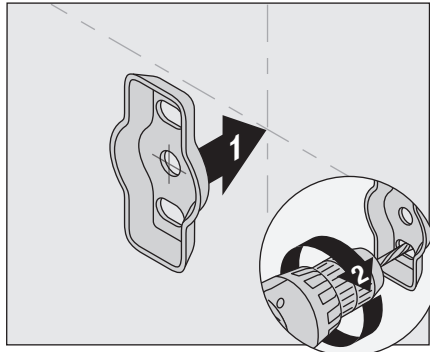
Notes: 423TB-18 and 423TB-24 only. Make sure both centerline marks are level.

- 2a) **Dry Wall Option:** Place mounting brackets into desired position. Using brackets as a guide, carefully drill 5/16" holes into wall.

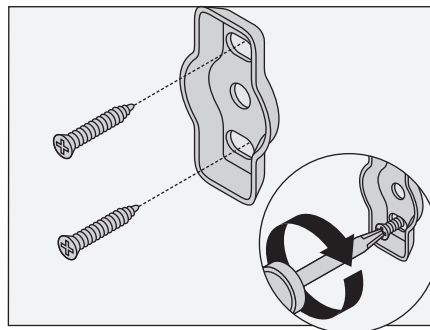


Note: For plaster walls 1/2" thick or less, insert toggle tool into toggle anchor to secure behind wall prior to installing accessory trim.

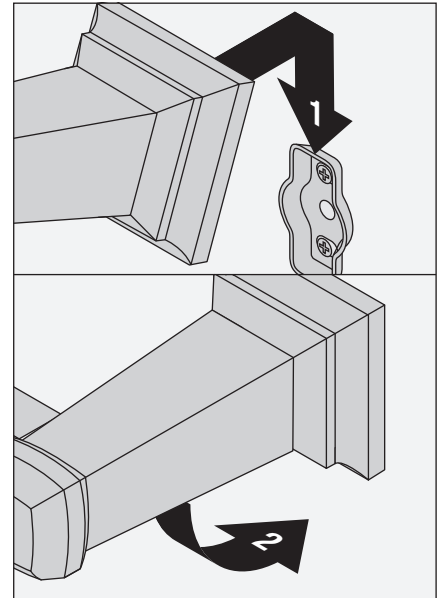
- 2b) **Stud Option:** Place mounting brackets into desired position. Using brackets as a guide, carefully drill 3/16" holes into wall.



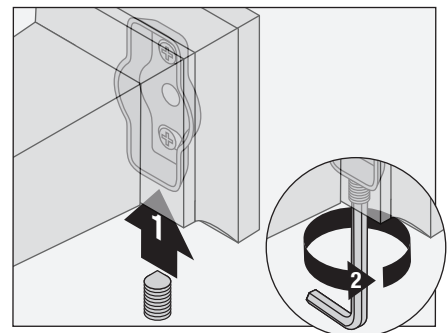
- 3) With mounting brackets in position, secure to wall using screws.



- 4) Hang top of accessory on mounting bracket. Lower into position.



- 5) Secure with set screw.



Care and Cleaning

- 1) Clean finished trim area with a soft cloth using mild soap and water or a non-abrasive cleaner and then quickly rinse with water.

⚠ WARNING: This product can expose you to chemicals including lead, which is known to the state of California to cause cancer, birth defects, or other reproductive harm. For more information, go to www.P65Warnings.ca.gov.