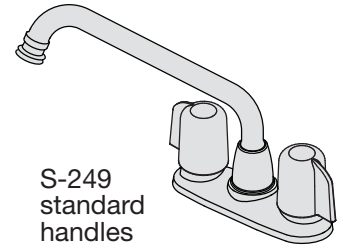


Location:



SYMMONS® Symmetrix®

Laundry Faucet S-249 Specification Submittal



Feature Highlights

- Two handle 4 inch centerset lavatory / laundry faucet
- Quarter turn ceramic control components with blade handles
- 7-5/8 x 7 inch swing spout that swivels 360 degrees with hose thread
- 1/2 inch IPS shanks
- Metal construction
- Polished chrome finish (standard)
- Hose thread
Optional aerator available in low flow rates

Standards / Certifications

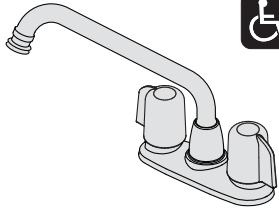

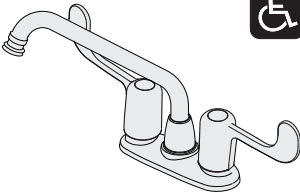

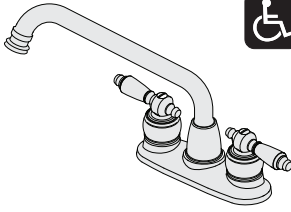

ASME A112.18.1/CSA B125.1
NSF/ANSI 61.9, NSF/ANSI 372
ADA Compliant Lever Handles



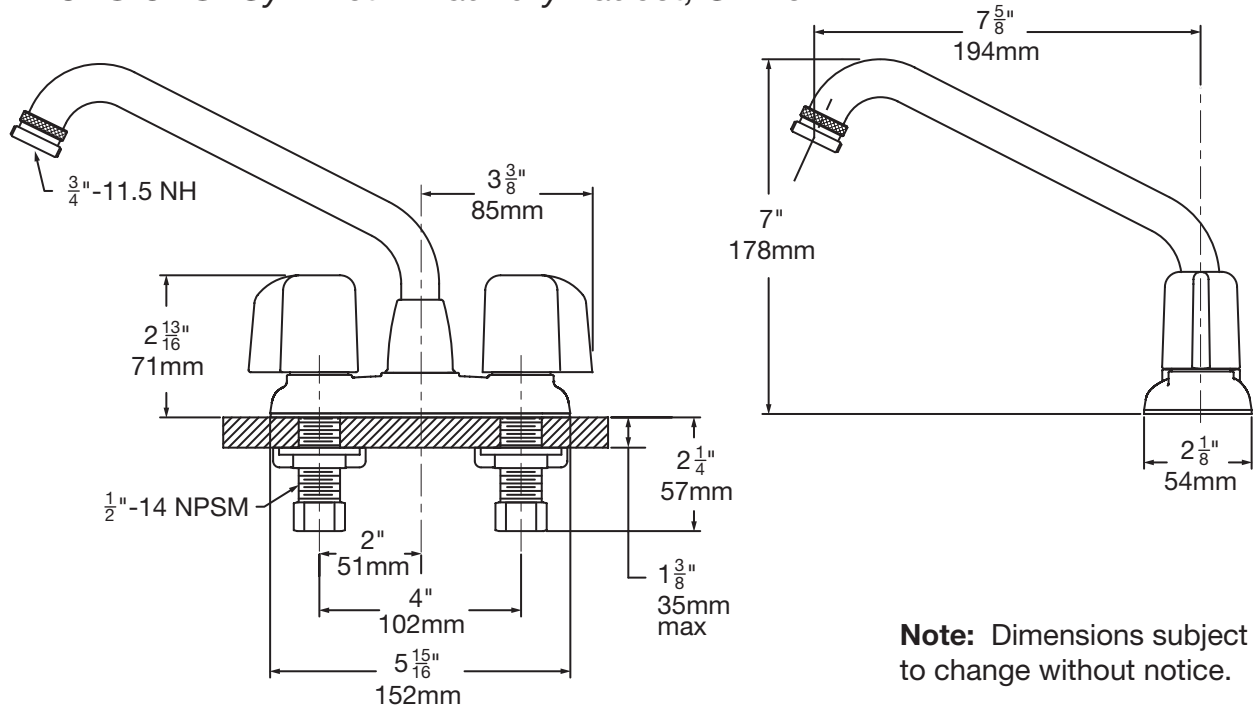
Warranty

- Limited Lifetime - to the original end purchaser in residential / consumer installations
- 5 years - for commercial installations

S-249 Faucet Handle Options

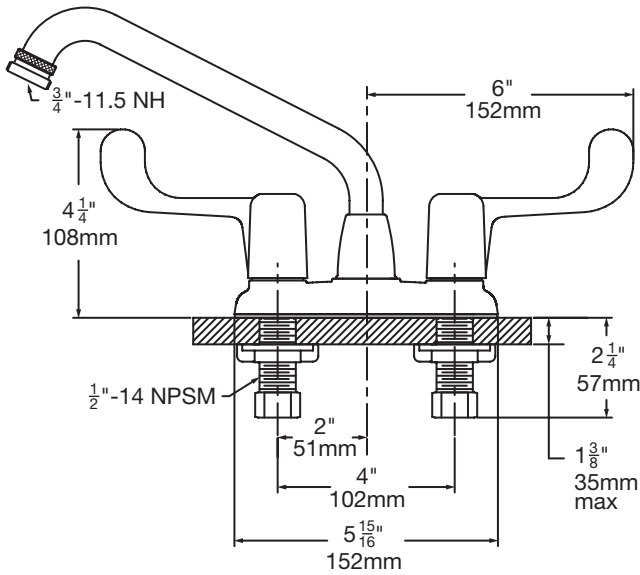
Standard	LWG	LAM	
 	 	 	
<h4>Model Numbers</h4> <p>Append appropriate -suffix to model number.</p> <p><input type="checkbox"/> S-249 Laundry Faucet</p>		<h4>Handle Options / Modifications</h4> <p>Append appropriate -suffix to model number.</p> <p><input type="checkbox"/> -LWG Wrist blade handles</p> <p><input type="checkbox"/> -LAM Blade handles</p>	
<h4>Finish Options / Modifications</h4> <p>Append appropriate -suffix to model number.</p> <p>- Polished chrome (standard)</p>		<h4>Other Options / Modifications</h4> <p>Append appropriate -suffix to model number.</p> <p><input type="checkbox"/> CG -0.5 Aerator flow restrictor, 0.5 gpm (1.9 L/min)</p> <p><input type="checkbox"/> CG -1.0 Aerator flow restrictor, 1.0 gpm (3.8 L/min)</p> <p><input type="checkbox"/> -1.5 Aerator flow restrictor, 1.5 gpm (5.7 L/min)</p> <p><input type="checkbox"/> -VP Vandal resistant aerator, 2.2 gpm (8.3 L/min)</p>	

Dimensions Symmetrix Laundry Faucet, S-249



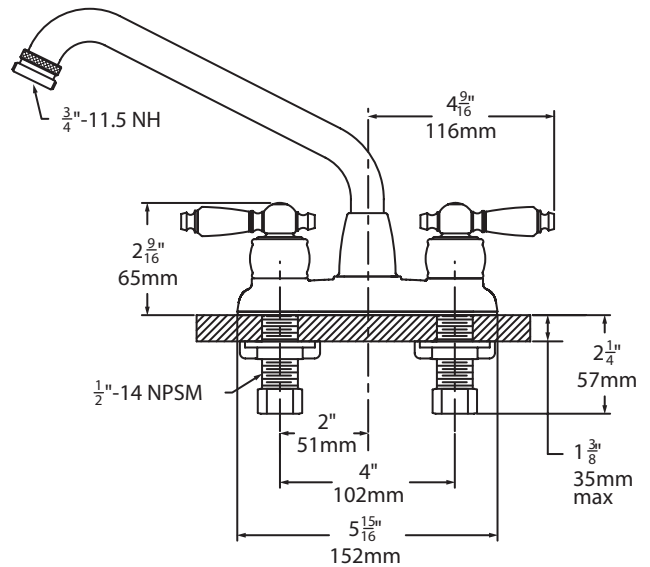
Note: Dimensions subject to change without notice.

Dimensions Symmetrix Laundry Faucet, S-249-LWG



Note: Dimensions subject to change without notice.

Dimensions Symmetrix Laundry Faucet, S-249-LAM



Note: Dimensions subject to change without notice.