





Location:

# SYMMONS® Allura®

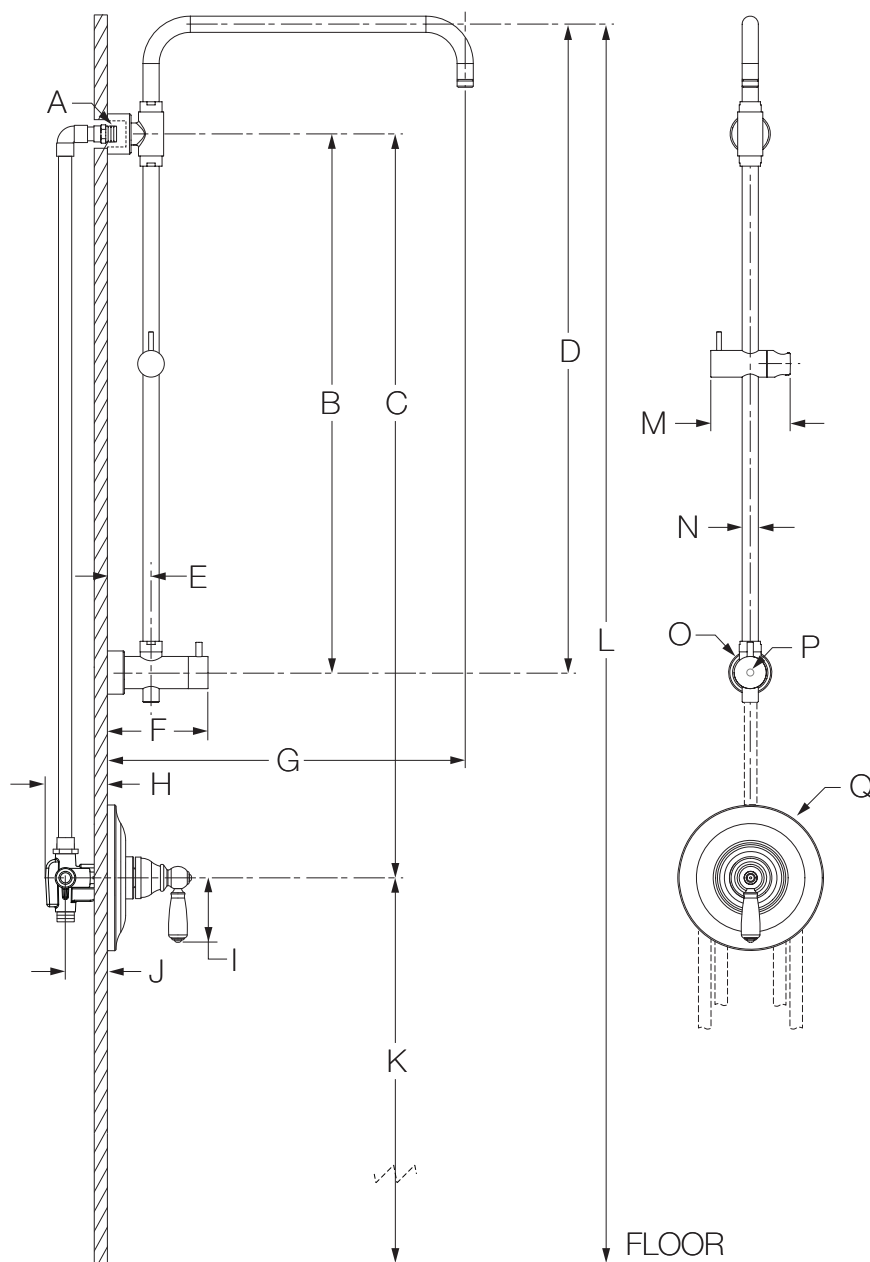
the smart choice™

4701-EX-L/HD-L/HS, 4701EXL3TRMTC  
 Shower/Hand Shower Trim with Exposed Shower Pipe  
**Specification Submittal**



Feature Highlights	Options/Modifications
<ul style="list-style-type: none"> <li>Allura Shower/Hand Shower Trim with Exposed Shower Pipe</li> <li>Requires Temptrol® Pressure Balancing Shower Valve</li> <li>Metal lever handle</li> <li>Diverter included for toggling between hand shower and showerhead</li> <li>Includes column/slide bar and hand shower bracket</li> <li>Hand shower not included</li> <li>Showerhead not included</li> <li>Components shall be metal and nonmetallic construction, plated in standard Polished Chrome finish</li> <li>Available with TA-10 flow control spindle and T-12A cap assembly for Temptrol valve bodies installed with Test Cap (order p/n 4701EXL3TRMTC)</li> <li>For optional in-line vacuum breaker order p/n EF-109</li> </ul>	<ul style="list-style-type: none"> <li><input type="checkbox"/> <b>-1.5</b>  1.5 gpm (5.7 L/min) flow restrictor</li> <li><input type="checkbox"/> <b>-2.0</b> 2.0 gpm (7.6 L/min) flow restrictor</li> <li><input type="checkbox"/> <b>-352SH</b> 3" diameter, 1 mode showerhead</li> <li><input type="checkbox"/> <b>-352SH-3</b> 3" diameter, 3 mode showerhead</li> <li><input type="checkbox"/> <b>-361SH</b> 4" square, 1 mode showerhead</li> <li><input type="checkbox"/> <b>-361SH-6</b> 6" square, 1 mode showerhead</li> <li><input type="checkbox"/> <b>-362SH</b> 3" diameter, 1 mode showerhead</li> <li><input type="checkbox"/> <b>-4-161</b> 9" diameter rain showerhead</li> <li><input type="checkbox"/> <b>-4-166</b> 6" diameter rain showerhead</li> <li><input type="checkbox"/> <b>-402SH1</b> 12" diameter rain showerhead</li> <li><input type="checkbox"/> <b>-422SH</b> 6-1/2" square, 1 mode showerhead</li> <li><input type="checkbox"/> <b>-432SH</b> 8" diameter, 1 mode showerhead</li> <li><input type="checkbox"/> <b>-511SH</b> 5-3/4" diameter, 1 mode showerhead</li> <li><input type="checkbox"/> <b>-532SH</b> 5-3/4" diameter, 1 mode showerhead</li> <li><input type="checkbox"/> <b>-72</b> 72" hose in place of 60" hose</li> <li><input type="checkbox"/> <b>-ADACHS</b> ADA hand shower wand (chrome)</li> <li><input type="checkbox"/> <b>-ADAHS</b> ADA hand shower wand (white)</li> <li><input type="checkbox"/> <b>-QD</b> Quick-disconnect on hand shower units</li> <li><input type="checkbox"/> <b>-R</b> 60" white vinyl hose in place of 60" metal hose</li> <li><input type="checkbox"/> <b>-VB</b> Elevated vacuum breaker</li> <li><input type="checkbox"/> <b>-VP</b> Vandal resistant escutcheon screws in place of standard screws</li> <li><input type="checkbox"/> <b>-STN</b> Satin Nickel finish</li> </ul>
<h3>Model Numbers</h3> <ul style="list-style-type: none"> <li><input type="checkbox"/> <b>4701-EX-L/HD-L/HS</b> Shower/Hand Shower Trim with Exposed Shower Pipe, Temptrol Pressure Balancing Shower Valve ordered separately</li> <li><input type="checkbox"/> <b>4701EXL3TRMTC</b> Shower/Hand Shower Trim and Exposed Shower Pipe with TA-10 flow control spindle and T-12A cap assembly, must order Temptrol valve with Test Cap</li> </ul>	<p><b>Note:</b> Append appropriate -suffix to model number.</p>
<h3>Compliance</h3> <ul style="list-style-type: none"> <li>ASME A112.18.1/CSA B125.1</li> </ul> 	
<h3>Warranty</h3> <p><b>Limited Lifetime</b> - to the original end purchaser in consumer/residential installations.  <b>5 Years</b> - for industrial/commercial installations.    Refer to <a href="http://www.symmons.com/warranty">www.symmons.com/warranty</a> for complete warranty information.    Go to <a href="http://www.symmons.com/register">www.symmons.com/register</a> to register your Symmons product.</p>	

## Dimensions



**Important:** If the distance for item C is less than 29" (737 mm), Exposed Shower Riser is not appropriate for your application.

### Measurements

A	Male 1/2" NPT thread must protrude 1/2" (13 mm) from finished wall
B	22", 559 mm
C	<b>For Shower Systems:</b> Min. 29", 737 mm from centerline of shower output to valve <b>For Tub/Shower Systems:</b> Min. 29", 737 mm from centerline of shower output to valve
D	27-1/2", 699 mm
E	2-3/16", 55 mm
F	5-1/16", 128 mm
G	17-15/16", 456 mm
H	3-1/2", 89 mm
I	3-1/8", 79 mm
J	Rough-in 2-3/8" ± 1/2", 60 mm ± 13 mm
K	Ref. 42", 1067 mm
L	Ref. 77", 1956 mm
M	4", 102 mm
N	Ø 13/16", 21 mm
O	Ø 2-3/16", 56 mm
P	Hole Size Ø 5/16", 8 mm
Q	Ø 7", 178 mm

### Notes:

- 1) Valve body and piping not included and shown as reference only.
- 2) Plaster shield (p/n T-176) for dry wall, plaster or other type walls 1/2" or greater.
- 3) All dimensions measured from nominal rough-in (see J as reference).
- 4) Dimensions subject to change without notice.