

# McLemore Resort Hotel (Curio) Rising Fawn, GA (New Cons. 2021)

Single Post Lav


VERSION

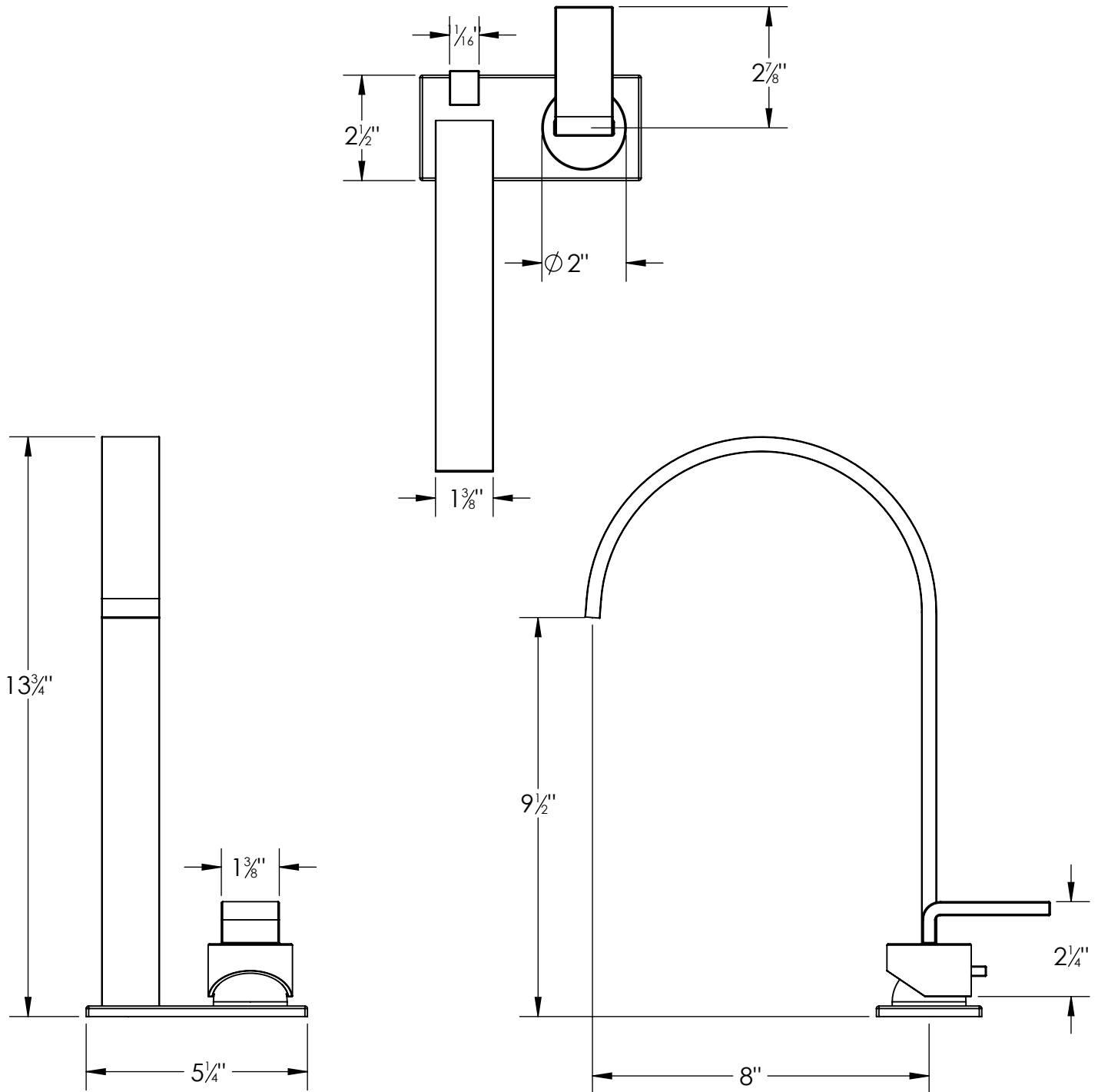
**A**

Location:




1.0 GPM Aerated Flow Rate (Non-laminar) \*Backwards Handle\*

<ul style="list-style-type: none"> <li>• Design &amp; Dimensions subject to change</li> <li>• Consult your Symmons Sales Representative for Timeline</li> </ul>			REQUIRES:			<p><small>*THIS DOCUMENT CONTAINS PROPRIETARY INFORMATION OF SYMMONS INDUSTRIES, INC. AND NEITHER THIS DOCUMENT OR ANY OF SAID PROPRIETARY INFORMATION SHALL BE PUBLISHED, REPRODUCED, COPIED, DISCLOSED OR USED FOR ANY PURPOSE WITHOUT THE EXPRESS WRITTEN PERMISSION OF A DULY AUTHORIZED REPRESENTATIVE OF SYMMONS INDUSTRIES, INC.*</small></p>  <p><b>SYMMONS</b><sup>®</sup></p> <p>SYMMONS INDUSTRIES 31 BROOKS DRIVE BRAINTREE, MA 02184 1-800-SYMMONS www.symmons.com</p>
PRODUCT NAME: Single Post Lav		ADDITIONAL NOTE: ---				
DATE	SYMMONS MODEL# CDSLS0670-12-BLK-1.0	FLOW RATE: 1.0 GPM	VERSION: A	TOOLING: No	FINISH: Polished Graphite	
Approved by:		Approval Date:		Approval Signature:		



1.0 GPM Aerated Flow Rate (Non-laminar) \*Backwards Handle\*

<ul style="list-style-type: none"> <li>• Design &amp; Dimensions subject to change</li> <li>• Consult your Symmons Sales Representative for Timeline</li> </ul>		REQUIRES:				<small>*THIS DOCUMENT CONTAINS PROPRIETARY INFORMATION OF SYMMONS INDUSTRIES, INC. AND NEITHER THIS DOCUMENT OR ANY OF SAID PROPRIETARY INFORMATION SHALL BE PUBLISHED, REPRODUCED, COPIED, DISCLOSED OR USED FOR ANY PURPOSE WITHOUT THE EXPRESS WRITTEN PERMISSION OF A DULY AUTHORIZED REPRESENTATIVE OF SYMMONS INDUSTRIES, INC.*</small>  <b>SYMMONS</b> <sup>®</sup> SYMMONS INDUSTRIES 31 BROOKS DRIVE BRAINTREE, MA 02184 1-800-SYMMONS www.symmons.com
PRODUCT NAME: Single Post Lav		ADDITIONAL NOTE: ---				
DATE	SYMMONS MODEL# CDSLS0670-12-BLK-1.0	FLOW RATE: 1.0 GPM	VERSION: A	TOOLING: No	FINISH: Polished Graphite	
Approved by:		Approval Date:		Approval Signature:		