



Location:

3602-TRM, 3602TRMTC
Tub/Shower Trim
Specification Submittal



Feature Highlights

- Duro Tub/Shower Trim
- Requires Temptrol® Pressure Balancing Tub/Shower Valve
- Metal lever handle
- 7" diverter tub spout
- 1 mode showerhead
- 2.5 gpm (9.5 L/min) flow restrictor
- Components shall be metal and nonmetallic construction, plated in standard Polished Chrome finish
- Available with TA-10 flow control spindle and T-12A cap assembly for Temptrol valve bodies installed with Test Cap (order p/n 3602TRMTC)

Model Numbers

- 3602-TRM**
Tub/Shower Trim, Temptrol Pressure Balancing Tub/Shower Valve ordered separately
- 3602TRMTC**
Tub/Shower Trim with TA-10 flow control spindle and T-12A cap assembly, must order Temptrol valve with Test Cap

Compliance

- ASME A112.18.1/CSA B125.1



Warranty

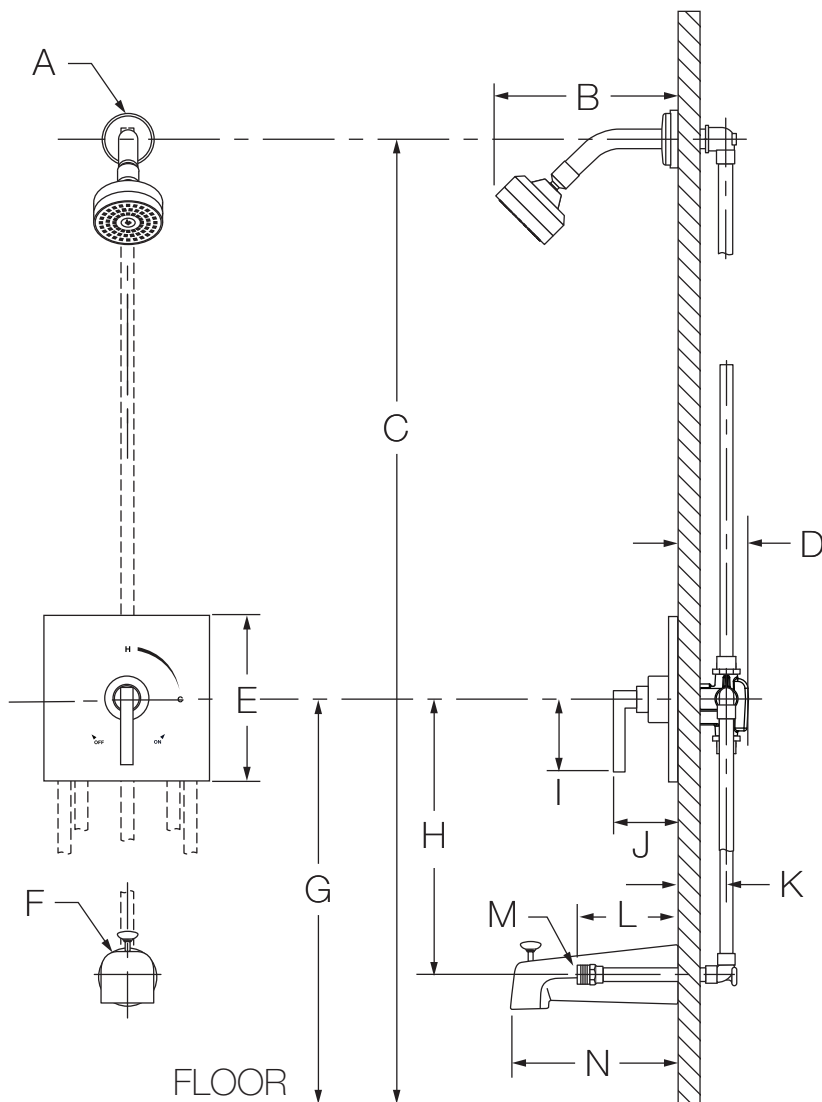
Limited Lifetime - to the original end purchaser in consumer/residential installations.
5 Years - for industrial/commercial installations.
 Refer to www.symmons.com/warranty for complete warranty information.
 Go to www.symmons.com/register to register your Symmons product.

Options/Modifications

- 1.5** *1.5 gpm (5.7 L/min) flow restrictor*
- 2.0** *2.0 gpm (7.6 L/min) flow restrictor*
- EX** *Exposed column/slide bar, hand shower bracket and hand shower wand (36EX)*
- L1** *Less showerhead*
- REB** *Rebuild trim kit, includes TA-10 and TA-4*
- SH1** *Alternative 352SH Dia showerhead*
- SH2** *Alternative 352SH-3, 3 mode showerhead*
- SH4** *Alternative 361SH square showerhead*
- SS** *Slip spout on any tub/shower unit*
- T2** *Alternative 361DTS, square diverter tub spout*
- VP** *Vandal resistant escutcheon screws in place of standard screws*
- BBZ** *Brushed Bronze finish*
- MB** *Matte Black finish*
- STN** *Satin Nickel finish*

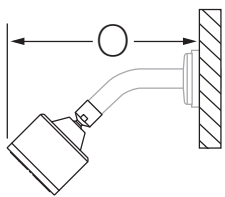
Note: Append appropriate -suffix to model number.

Dimensions

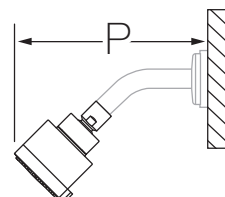


Measurements	
A	Ø 2-1/2", 64 mm
B	6", 152 mm
C	Ref. 77", 1956 mm
D	3-1/2", 89 mm
E	Sq. 7-1/2", 191 mm
F	Ø 2-1/2", 64 mm
G	Ref. 32", 813 mm
H	Ref. 12", 305 mm
I	3-1/8", 79 mm
J	3-1/2", 89 mm
K	Rough-in 2-3/8" ± 1/2", 60 mm ± 13 mm
L	5-1/2", 140 mm
M	Male 1/2-14 NPT fitting must protrude 5-1/2" (140 mm) from finished wall
N	7", 178 mm
O	6-3/4", 171 mm
P	6-3/4", 171 mm
Q	5-5/8", 143 mm
R	2-1/4", 57 mm
S	2-1/2", 64 mm
T	5/8", 16 mm
U	5-5/8", 143 mm
V	Male 1/2-14 NPT fitting must protrude 4-7/16" (113 mm) from finished wall

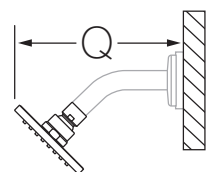
-SH1



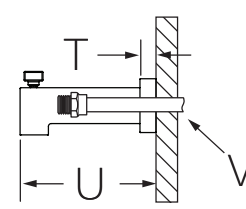
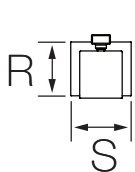
-SH2



-SH4



-T2



Notes:

- 1) Valve body and piping not included and shown as reference only.
- 2) Plaster shield (p/n T-176) for dry wall, plaster or other type walls 1/2" or greater.
- 3) All dimensions measured from nominal rough-in (see K as reference).
- 4) Dimensions subject to change without notice.